
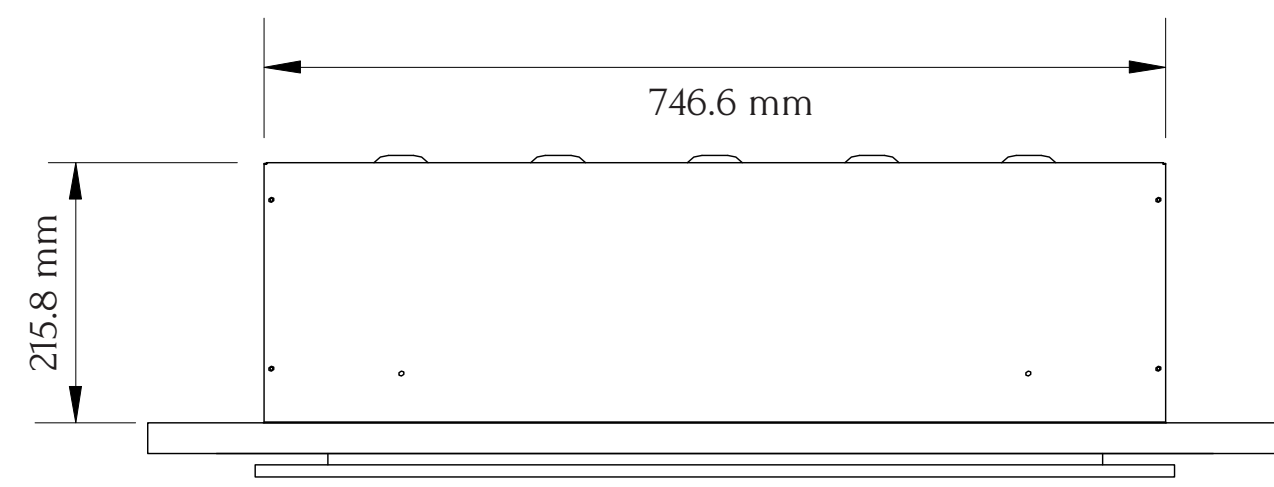
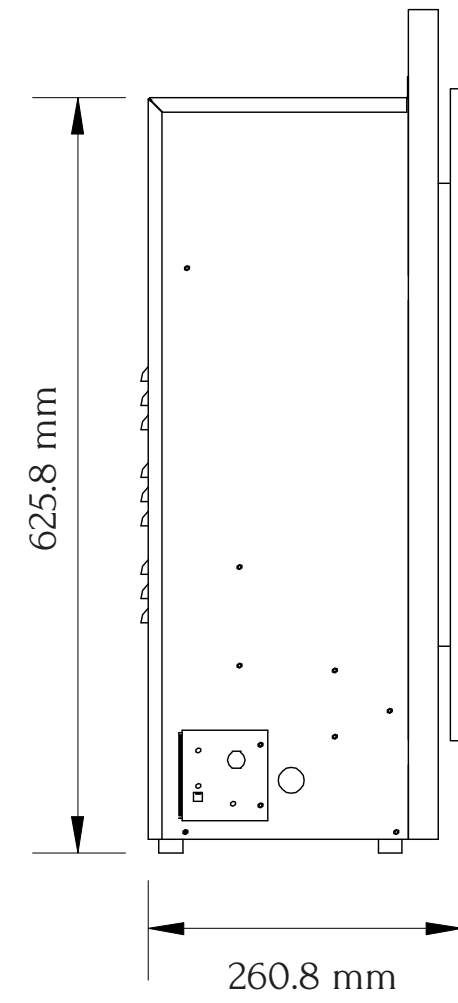
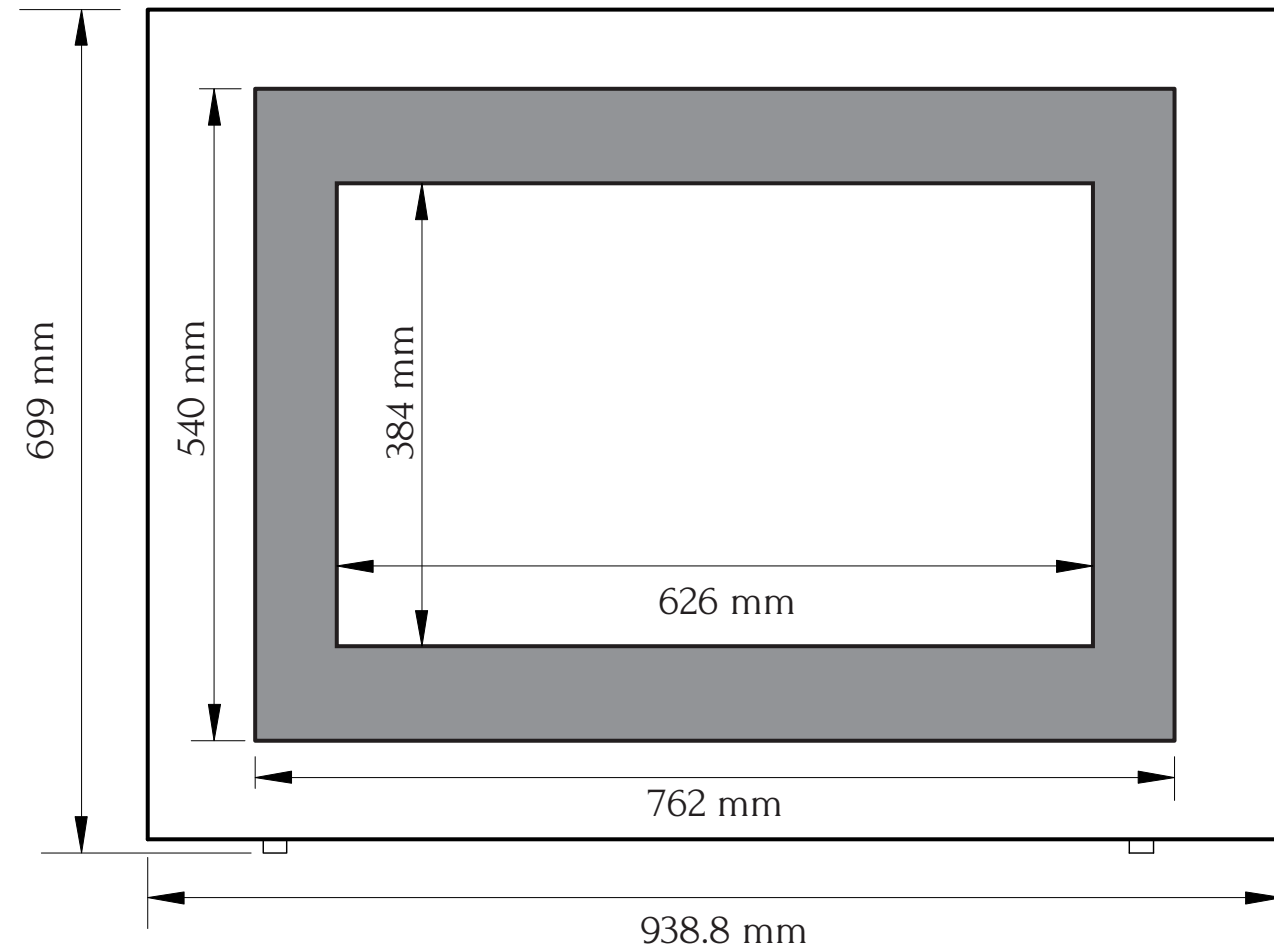


TECHNICAL SPECIFICATIONS

VOLTS		120
AMPS		12.5
WATTS		1500
HEATER	HIGH	1500 watts
	LOW	750 watts
NO HEATER		19 watts
LAMPS	QUANTITY	LED
	WATTS	
	TOTAL WATTS	22 watts
ROTOR MOTOR		1 at 5 watts
HEIGHT, WIDTH, DEPTH		24 5/8 x 29 3/8 x 8 1/2
GLASS VIEWING OPENING		15 1/8 x 24 5/8
SURROUND SIZE		27 x 37
SHIPPING SIZE		29 1/4 x 40 x 12 7/8
SHIPPING WEIGHT		67 lbs
GLASS FRONT	UNIT	
		Included
PLUG LOCATION		Left Side
CORD LENGTH		76"
APPROX. HEATING AREA		400 sq ft




SERIES ZERO CLEARANCE	MODEL ZC-FM-37		REV 1
SCALE 1" = 1'-0"	DATE: 9/1/2014		SHEET 1 OF 1



TECHNICAL SPECIFICATIONS		
VOLTS		120
AMPS		12.5
WATTS		1500
HEATER	HIGH	1500 watts
	LOW	750 watts
NO HEATER		19 watts
LAMPS	QUANTITY	LED
	WATTS	
	TOTAL WATTS	22 watts
ROTOR MOTOR		1 at 5 watts
HEIGHT, WIDTH, DEPTH		62.6 x 74.7 x 21.6 cm
GLASS VIEWING OPENING		38.4 x 62.6 cm
SURROUND SIZE		69.9 x 93.9 cm
SHIPPING SIZE		74.3 x 101.5 x 32.8 cm
SHIPPING WEIGHT		31 kg
	UNIT	
	GLASS FRONT	Included
PLUG LOCATION		Left Side
CORD LENGTH		193 cm
APPROX. HEATING AREA		37 sqm



SERIES	MODEL		REV
ZERO CLEARANCE	ZC-FM-37		1
SCALE 1:12	DATE: 9/1/2014	SHEET 1 OF 1	