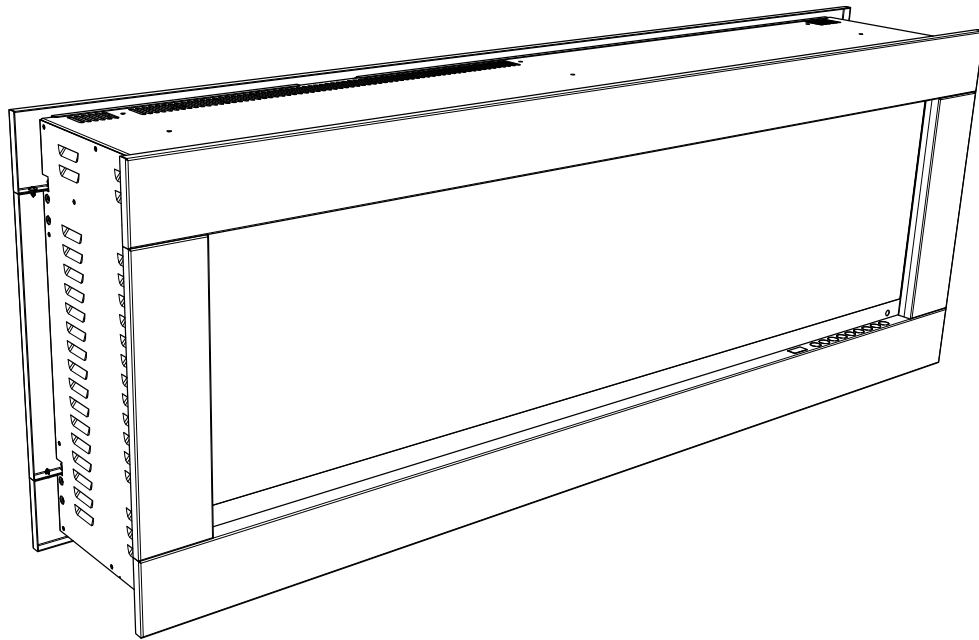




INSTALLATION AND OPERATION MANUAL

CLEARION™ SERIES

(NEFBD50H ILLUSTRATED)



SAFETY INFORMATION

⚠ WARNING

FIRE OR EXPLOSION HAZARD

If the information in these instructions are not followed exactly, a fire or explosion may result causing property damage, personal injury, or loss of life.

- Do not store or use gasoline or other flammable vapors and liquids in the vicinity of this or any other appliance.

INSTALLER:

Leave this manual with the appliance

CONSUMER:

Retain this manual for future reference



This appliance has a remote that requires button batteries that are hazardous to young children

FOR INDOOR USE ONLY

**CERTIFIED TO THE CANADIAN AND AMERICAN NATIONAL STANDARDS:
CSA 22.2 NO. 46 / UL 1278**

APPLY SERIAL NUMBER LABEL FROM CARTON



Wolf Steel Ltd., 24 Napoleon Rd., Barrie, ON, L4M 0G8 Canada / 103 Miller Drive, Crittenden, Kentucky, USA, 41030
Phone 1 (866) 820-8686 • www.napoleonfireplaces.com • hearth@napoleonproducts.com

 WARNING

- **If equipped with a heater, this appliance can be hot when operated and can cause severe burns if contacted.**
- Do not operate appliance before reading and understanding operating instructions. Failure to operate appliance according to operating instructions could cause fire or injury.
- Do not install damaged, incomplete or substitute components.
- Do not burn wood or other materials in this appliance.
- All electric appliances have hot and arcing or sparking parts inside. Do not use it in areas where a gas line, paint or flammable liquids are present.
- Any safety screen or guard removed for servicing must be replaced prior to operating the appliance.
- It is imperative that the control compartments, circulating blower and its passageway in the appliance are kept clean. The appliance should be inspected before use and at least annually by a qualified service person. More frequent cleaning may be required due to excessive lint from carpeting, bedding material, etc. The appliance area must be kept clear and free from combustible materials, gasoline and other flammable vapors and liquids.
- Under no circumstances should this appliance be modified.
- Do not use this appliance if any part has been under water. Immediately call a qualified service technician to inspect the appliance and to replace any part of the control system which has been under water.
- If equipped with a glass door, do not operate the appliance with the glass door removed, cracked or broken. Replacement of the glass should be done by a licensed or qualified service person.
- If equipped with a glass door, do not strike or slam shut the appliance glass door.
- Keep the packaging material out of reach of children and dispose of the material in a safe manner. As with all plastic bags, these are not toys and should be kept away from children and infants.
- Servicing should be done only while the appliance is disconnected from the power supply circuit.
- Always unplug appliance when not in use.
- Do not operate this appliance with a damaged cord or plug after the appliance malfunctions, has been dropped or damaged in any manner. Return appliance to authorized service facility for examination, electrical or mechanical adjustment, or repair.
- Do not use outdoors.
- Never locate appliance where it may fall into a bathtub or other water container.
- Do not run cord under carpeting. Do not cover cord with throw rugs, runners, or the like. Arrange cord away from traffic area and where it will not be tripped over.
- Connect to properly grounded outlets only.
- Do not insert or allow foreign objects to enter any ventilation or exhaust opening as this may cause an electric shock or fire, or damage the appliance.

! WARNING

- To prevent a possible fire, do not block air intakes or exhaust in any manner. Do not use on soft surfaces, like a carpet, where openings may become blocked.
- Always plug appliances directly into a wall outlet/receptacle. Never use an extension cord or relocatable power tap (outlet/power strip).
- These appliances are tested and listed for use only with the optional accessories listed in these instructions. Use of optional accessories not specifically tested for this appliance could void the warranty and/or result in a safety hazard.

For appliances equipped with a heater:

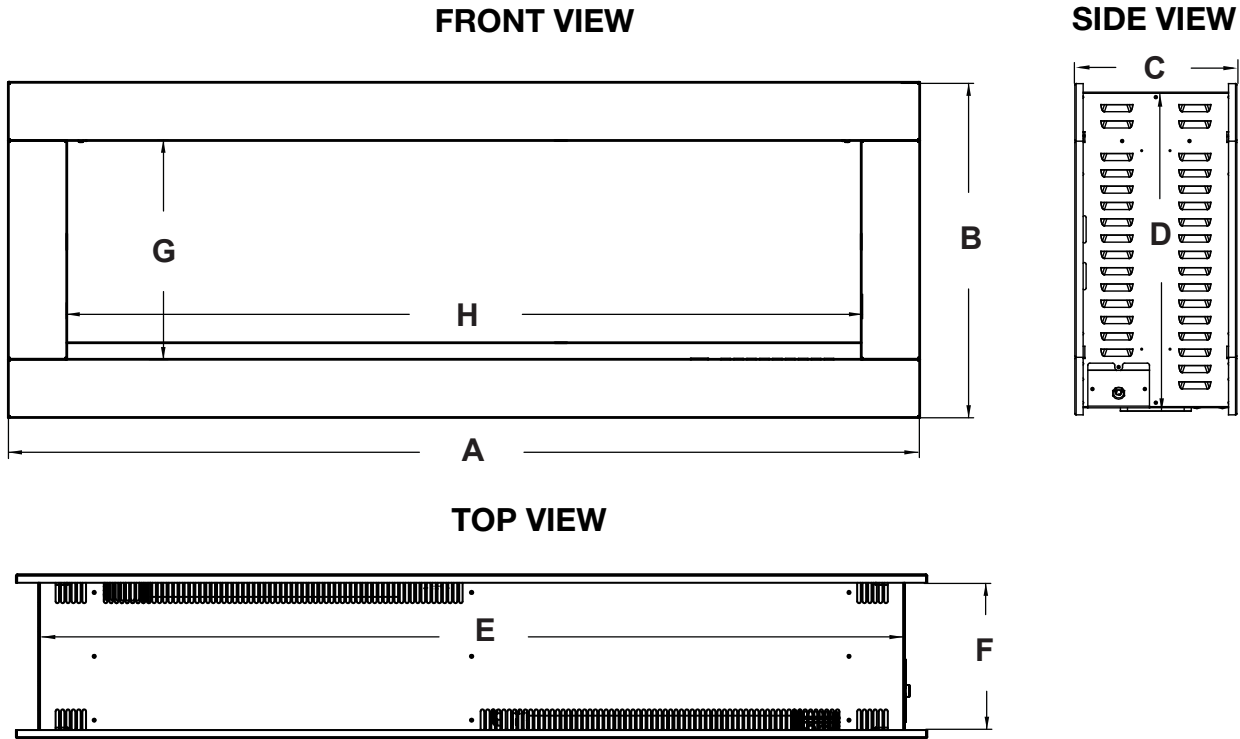
- Risk of burns. Power to the appliance should be turned off and the appliance allowed to cool before servicing. To disconnect power to the appliance, turn controls to off, then remove plug from outlet.
- Young children should be carefully supervised when they are in the same room as the appliance. Toddlers, young children and others may be susceptible to accidental contact burns. A physical barrier is recommended if there are at risk individuals in the house. To restrict access to an appliance or stove, install an adjustable safety gate to keep toddlers, young children and other at risk individuals out of the room and away from hot surfaces.
- Clothing or other flammable material should not be placed on or near the appliance.
- Due to high temperatures, the appliance should be located out of traffic and away from furniture and draperies.
- Ensure you have incorporated adequate safety measure to protect infants/toddlers from touching hot surfaces.
- Even after the appliance is off, the glass and/or screen will remain hot for an extended period of time.
- Check with your local hearth specialty dealer for safety screens and hearth guards to protect children from hot surfaces. These screens and guards must be fastened to the floor.
- Ensure clearances to combustibles are maintained when building a mantel or shelves above the appliance. Elevated temperatures on the wall or in the air above the appliance can cause melting, discolouration or damage to decorations, a T.V. or other electronic components.

1.0	general information	5
1.1	dimensions	5
1.2	product information	5
1.3	general instructions	6
1.4	unpacking and testing appliance	6
1.5	parts list	7
1.6	rating plate information	8
1.7	label location	8
2.0	installation	9
2.1	locating appliance	9
2.2	grounding the appliance	10
2.3	minimum clearance to combustibles	10
2.4	minimum mantel clearances	10
2.5	framing	11
2.6	installing the appliance	12
3.0	electrical information	13
3.1	wiring diagram	13
3.2	hard wiring installation	14
3.3	120V hard wire connection	15
3.4	240V hard wire connection	16
4.0	finishing	17
4.1	front glass installation / removal	17
4.2	front trim installation / removal	17
4.3	media installation	18
4.3.1	log set and topaz glass installation	18
4.3.2	acrylic crystal media installation	18
5.0	operating instructions	19
5.1	main power button	19
5.2	operating touch display panel and remote control	19
6.0	maintenance	21
6.1	remote battery installation	21
7.0	replacement parts	22
8.0	troubleshooting	24
9.0	warranty	25

note:

The information throughout this manual is believed to be correct at the time of printing. Wolf Steel Ltd. reserves the right to change or modify any information within this manual at any time without notice. Changes, other than editorial are denoted by a vertical line in the margin.

1.1 dimensions



1.2 product information

This appliance has been tested in accordance with the CSA Standards for fixed and location-dedicated electric room appliances in the United States and Canada. If you need assistance during installation, please contact your local dealer.

Dimensions								
	A	B	C	D	E	F	G	H
NEFBD50H	50" (1270mm)	18 3/8" (467.2mm)	9" (228.6mm)	17 11/16" (450mm)	47 9/16" (1207.8mm)	8 1/16" (205.2mm)	12" (304.8mm)	43 5/8" (1107.6mm)
NEFBD50H-SS	50" (1270mm)	18 3/8" (467.2mm)	9" (228.6mm)	17 11/16" (450mm)	47 9/16" (1207.8mm)	8 1/16" (205.2mm)	12" (304.8mm)	43 5/8" (1107.6mm)
NEFBD50H-DT	50" (1270mm)	18 3/8" (467.2mm)	9" (228.6mm)	17 11/16" (450mm)	47 9/16" (1207.8mm)	4 9/16" (116.3mm)	12" (304.8mm)	43 5/8" (1107.6mm)
NEFBD50H-SS-DT	50" (1270mm)	18 3/8" (467.2mm)	9" (228.6mm)	17 11/16" (450mm)	47 9/16" (1207.8mm)	4 9/16" (116.3mm)	12" (304.8mm)	43 5/8" (1107.6mm)

	Net Weight	Gross Weight
NEFBD50H	98.1 lbs (44.5kg)	116.8 lbs (53kg)
NEFBD50H-SS	99.2 lbs (45kg)	117.9 lbs (53.5kg)
NEFBD50H-DT	101.4 lbs (46kg)	120 lbs (54.5kg)
NEFBD50H-SS-DT	102.5 lbs (46.5kg)	121.3 lbs (55kg)

Description	See-Thru Electric Fireplace
Type	Electric Fireplace
Voltage	120V AC / 240V AC
Watts	MAX 1500W / 3000W
Amps	15 amps

general information

1.3 general instructions

- Prior to plugging your appliance into an electrical outlet, verify that the house circuit breakers for the outlet are on.
- The appliance may emit a slight, harmless odour when first used. This odour is normal and it is caused by the initial heating of internal appliance elements and will not occur again.
- If your appliance does not emit heat, consult the “operation” section of this manual for further information.
- Use with a CSA or UL certified surge protector.
- Do not route the power cord directly underneath the appliance.

This electric appliance meets the construction and safety standards of H.U.D. for application in manufactured homes when installed according to these instructions.

As with most electronic devices, your new electric fireplace has been designed to operate at temperatures between 5°C (41°F) and 35° C (95°F). During the colder winter months, allow the fireplace to reach room temperature before turning it on.

1.4 unpacking and testing appliance

Carefully remove the appliance from the box. Prior to installing the appliance, test to make sure the appliance operates properly by plugging the power supply cord into a conveniently located 120 volt, 15 amp grounded outlet.

The appliance comes with medium density fiberboard (MDF board) installed on the sides. Remove fasteners on each side (FIG. 1).

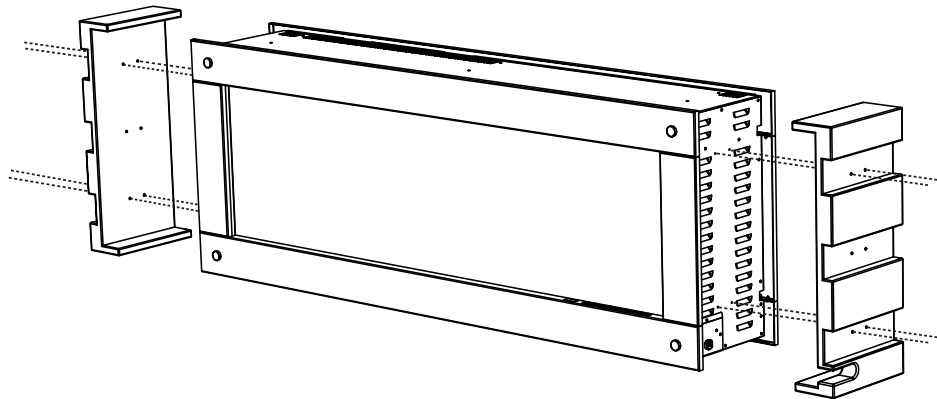


FIG. 1

Use 4 supplied fasteners on each side to cover MDF board fastener holes (FIG. 2).



#2 x 8

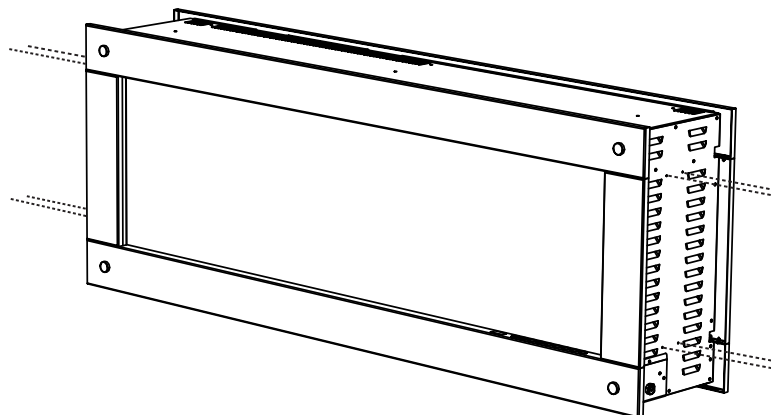
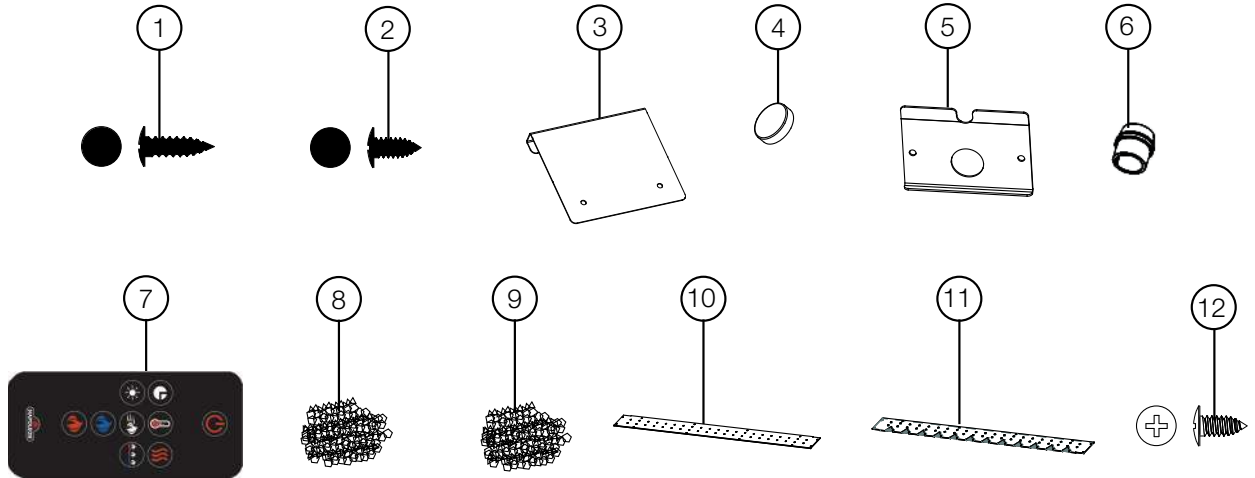


FIG. 2

1.5 parts list



Ref. #	Description	Quantity			
		NEFBD50H	NEFBD50H-SS	NEFBD50H-DT	NEFBD50H-SS-DT
1	Metal Screws (Black)	4			
2	Metal Screws (Black)	12			
3	Mounting Bracket	2			
4	Trim Button	8			
5	Cover Plate	1			
6	Strain Relief	1			
7	Remote Control	2			
8	Acrylic Crystals	3.5 lbs (1.6kg)			
9	Topaz Glass	3 lbs (1.4kg)			
10	Media Tray (Front)	1			
11	Media Tray (Back)	1			
12	Metal Screws (Nickel)	5			

1.6 rating plate information

CERTIFIED UNDER CANADIAN AND AMERICAN NATIONAL STANDARD: CSA 22.2 NO. 46 AND UL 2021 / HOMOLOGUÉ SELON LES NORMES NATIONALES CANADIENNES ET AMÉRICAINES: CSA 22.2 NO. 46 UL 2021

ELECTRIC FIREPLACE. SUITABLE FOR BEDROOM AND BED-SITTING ROOM INSTALLATION. SUITABLE FOR MOBILE HOME INSTALLATION.

FOYER À ÉLECTRIQUE. HOMOLOGUÉ POUR INSTALLATION DANS UNE CHAMBRE À COUCHER, UNE SALLE DE BAIN ET UN STUDIO. APPROPRIÉ POUR INSTALLATION DANS UNE MAISON MOBILE.

MASTER CONTRACT: 161746 **CONTRAT-CADRE: 161746**

NEFBD50H NEFBD50H-SS MODEL CEFBD50H CEFBD50H-SS
 NEFBD50H-DT NEFBD50H-SS-DT CEFBD50H-DT CEFBD50H-SS-DT

VOLTAGE: 120/240 V **TENSION: 120/240 V**
FREQUENCY: 60Hz **FRÉQUENCE: 60Hz**
POWER: 1500W/3000W **PUISSANCE: 1500W/3000W**
DATE CODE: **CODE DE DATE:**

DESIGNED IN NORTH AMERICA BY WOLF STEEL LTD. DÉSIGNÉ AMÉRIQUE DU NORD PAR WOLF STEEL LTD.
WOLF STEEL LTD. MADE IN CHINA FABRIQUÉ EN CHINE
24 NAPOLEON ROAD,
BARRIE, ON, L4M 0G8 CANADA

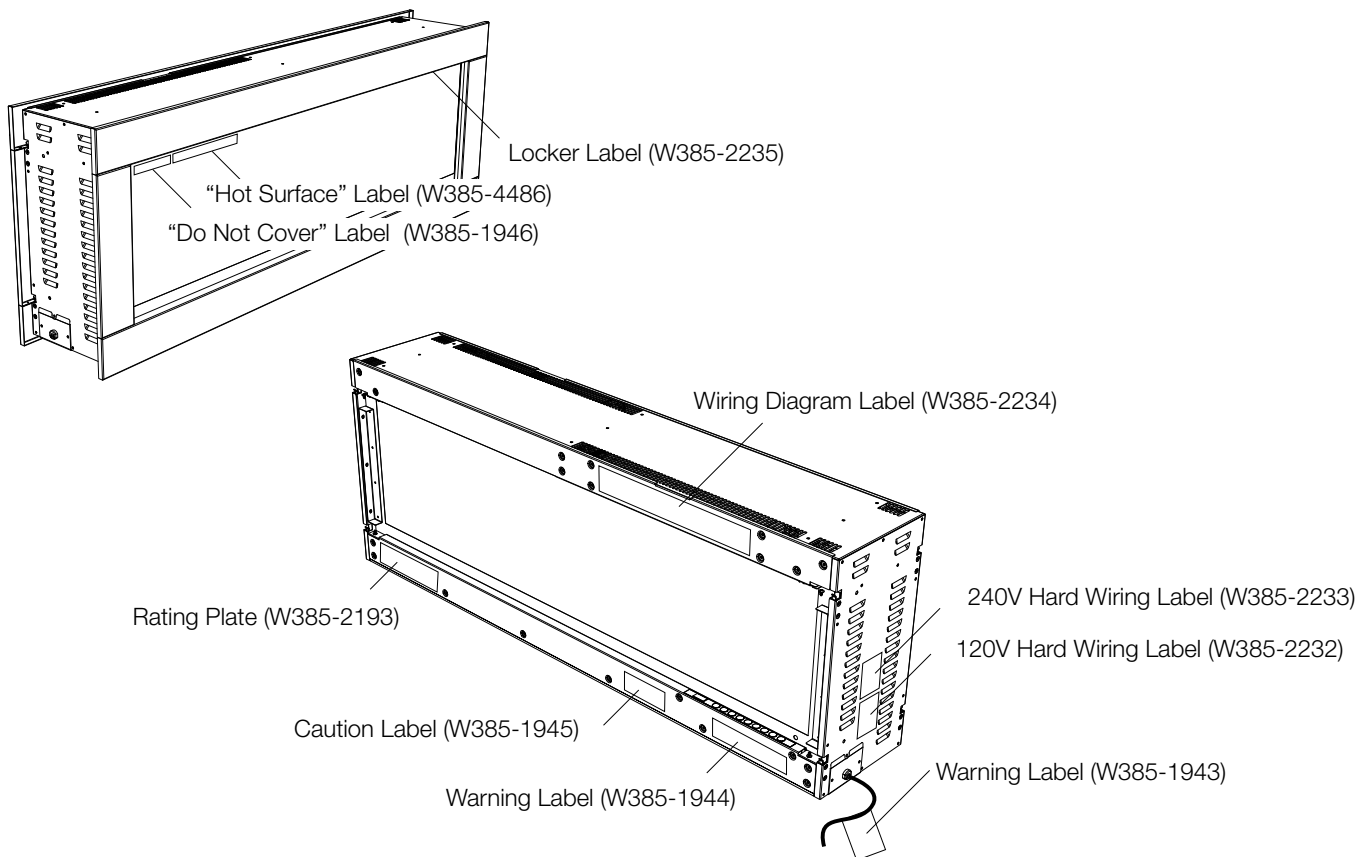
SERIAL NUMBER/NO. DE SERIE: NEFBD50 W385-2193 / A

This illustration is for reference only. Refer to the rating plate on the appliance for accurate information.

note:

The rating plate must remain with the appliance at all times. It must not be removed.

1.7 label location



⚠ WARNING

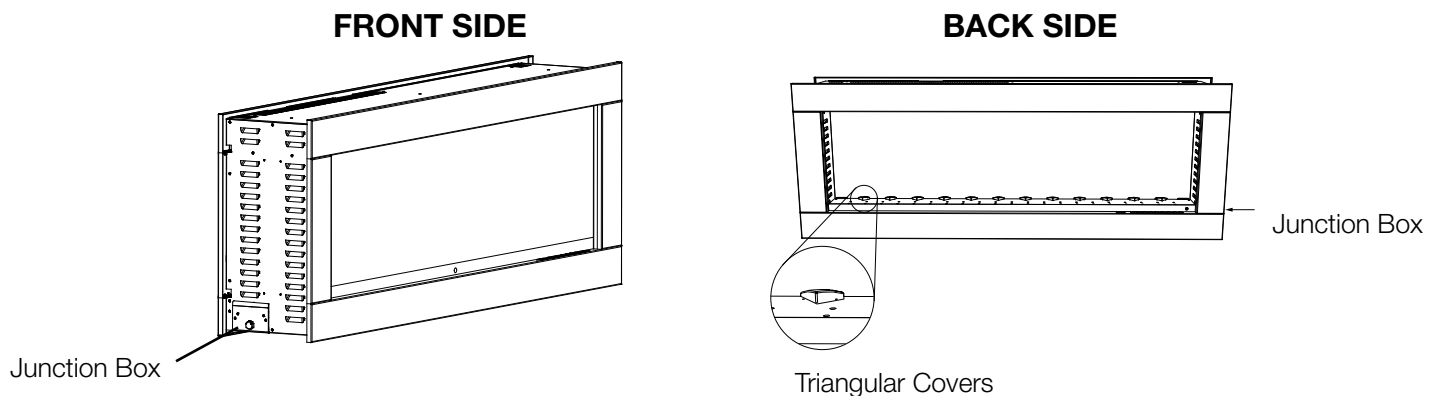
- Risk of fire! The power cord must not be pinched against a sharp edge. Secure cord to avoid tripping or snagging to reduce the risk of fire, electric shock, or personal injury. Do not run cord under carpeting. Do not cover cord with throw rugs, runners, or similar items. Arrange cord away from traffic areas and where it will not be tripped over.
- Risk of fire! To prevent a possible fire, do not block air intake or exhaust in any manner. Do not use on soft surfaces where openings may become blocked.
- Risk of fire! Do not blow or place insulation against the appliance.
- This electric appliance is tested and listed for use only with the approved optional accessories. Use of optional accessories not specifically tested for this electric appliance could void the warranty and/or result in a safety hazard.
- If the information in these instructions is not followed exactly, a fire or explosion may result causing property damage, personal injury, or death. Do not store or use gasoline or other flammable vapors in the vicinity of this or any other appliance.
- This appliance is heavy. It is highly recommended that two people install this appliance.
- If your appliance is equipped with a heater, ensure the heater vents cannot, in any way, be covered as it may create a fire hazard.
- Do not run the power cord horizontally, directly below the appliance.

Your appliance is a see-thru electric fireplace installed into a wall. Select a suitable location that is not susceptible to moisture and is away from drapes, furniture and high traffic areas.

note:

Follow all national and local electrical codes.

To determine the front side of the appliance, the junction box should be located on the left side of the appliance when the appliance is viewed from the front side. Alternatively, you can determine the back side of the appliance by looking for triangular covers on the media tray or by locating the junction box on the right side of the appliance when viewed from the back side.

**2.1 locating appliance****⚠ WARNING**

- Due to high temperatures, this electric appliance should be located out of traffic. Keep combustible materials such as furniture, pillows, bedding, papers, clothes, curtains, and similar items at least 36" from the front of the appliance.
- Never located this electric appliance where it may fall into a bathtub or other water container.
- Wear safety gloves and safety glasses for protection during installation and maintenance.
- To prevent contact with sagging or loose insulation, the electric appliance must not be installed against vapor barrier or exposed insulation. Localized overheating could occur and fire could result.
- Do not expose the electric appliance to the elements (such as rain, etc.)

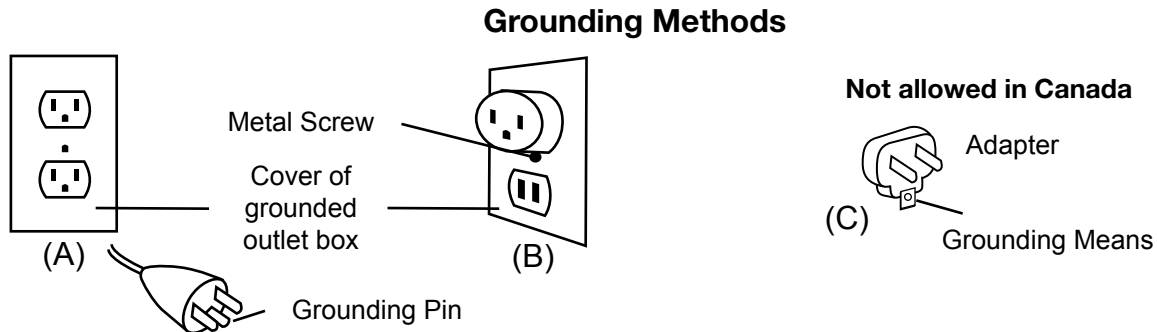
installation

2.2 grounding the appliance

This appliance is for use on 120 volts. The cord has a plug as shown in (A). An adapter as shown in (C) is available for connecting three-blade grounding type plugs to two-slot receptacles, as shown in (B).

The green grounding plug extending from the adapter must be connected to a permanent ground such as a properly grounded outlet box. The adapter should not be used if a three-slot grounded receptacle is available.

To disconnect appliance, turn controls to off, then remove plug from outlet.



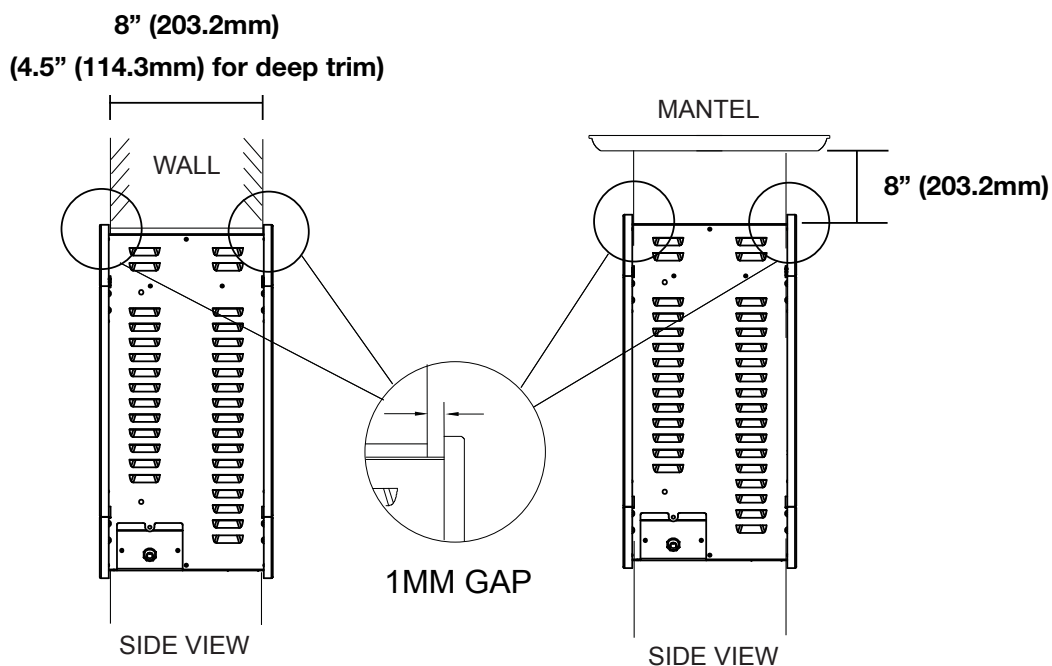
2.3 minimum clearance to combustibles

Measurements are taken from the front trim	
Bottom	0"
Sides	0"
Front / Back	6" (152.4mm)
Top	8" (203.2mm)

2.4 minimum mantel clearances

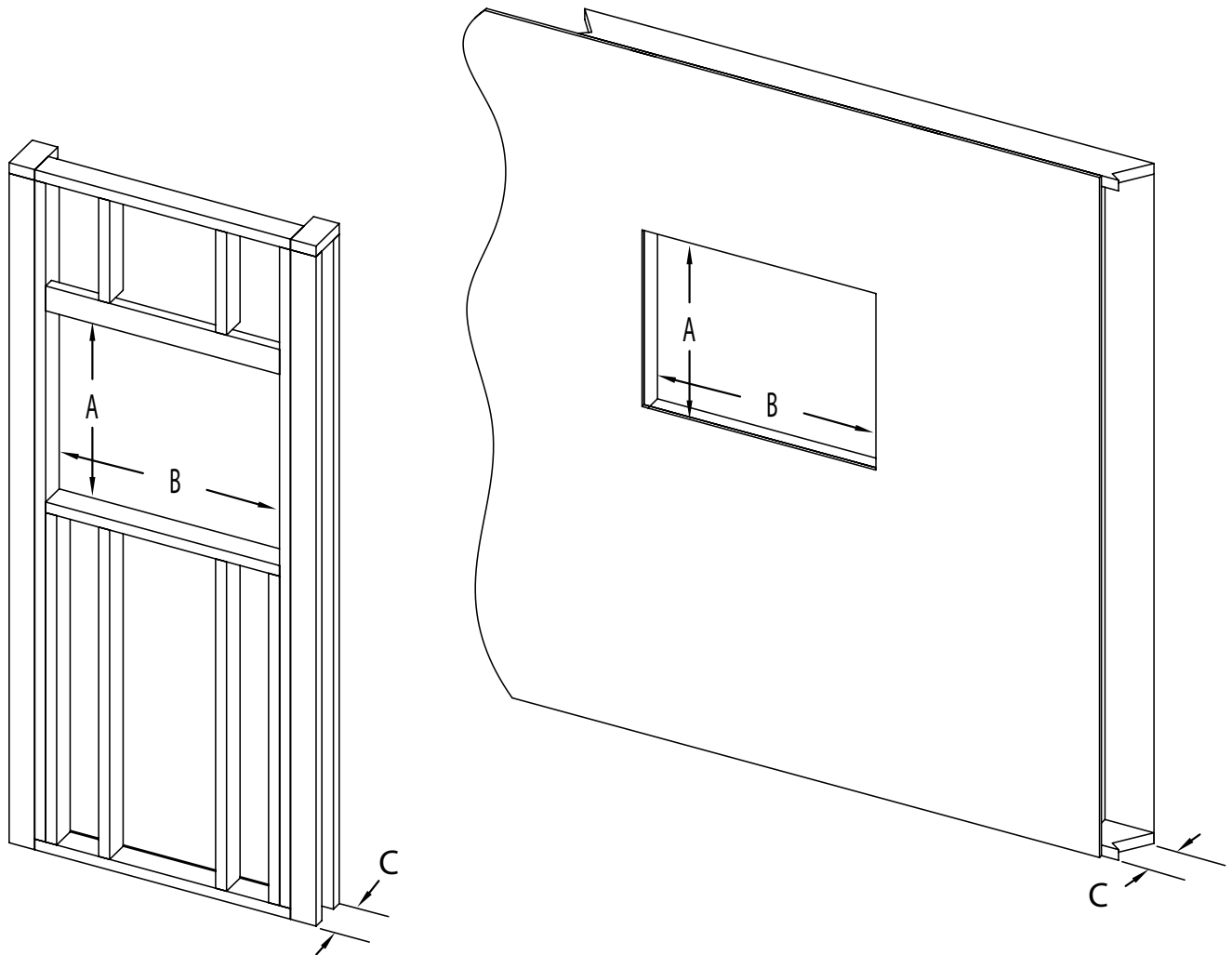
! WARNING

- When using paint or lacquer to finish the mantel, the paint or lacquer must be heat resistant to prevent discoloration.



2.5 framing

FINISHING MATERIAL



MODEL NO.	A	B	C
NEFBD50H	17 15/16" (45.6cm)	49" (124.5cm)	8" (20.32 cm)
NEFBD50H-SS	17 15/16" (45.6cm)	49" (124.5cm)	8" (20.32 cm)
NEFBD50H-DT	17 15/16" (45.6cm)	49" (124.5cm)	4.5" (11.43 cm)
NEFBD50H-SS-DT	17 15/16" (45.6cm)	49" (124.5cm)	4.5" (11.43 cm)

installation

2.6 installing the appliance

- A. Frame the appliance along with the electrical connections.
- B. Remove the front trims on both front side and back side. Refer to “front trim installation / removal” section.
- C. Remove the front glasses on both front side and back side. Refer to “front glass installation / removal” section.
- D. To determine the installation location of the mounting bracket, ensure to line up the edge of the mounting bracket $1/4"$ (6.4mm) from the center of the stud and $6 1/8"$ (156mm) from the bottom of the stud (FIG. 1 & 2).

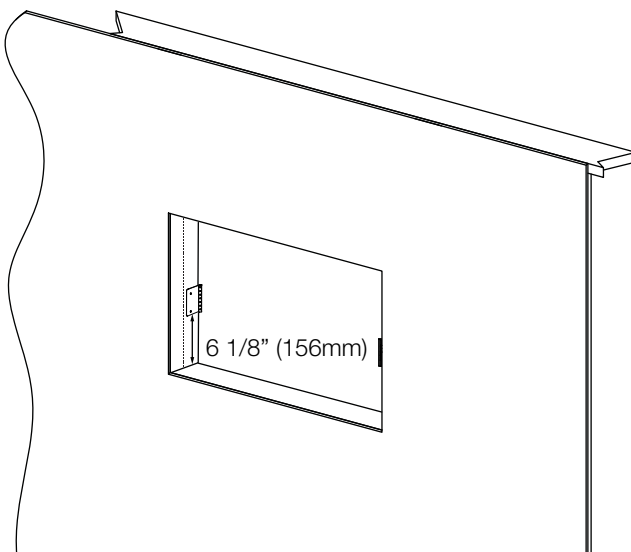


FIG. 1

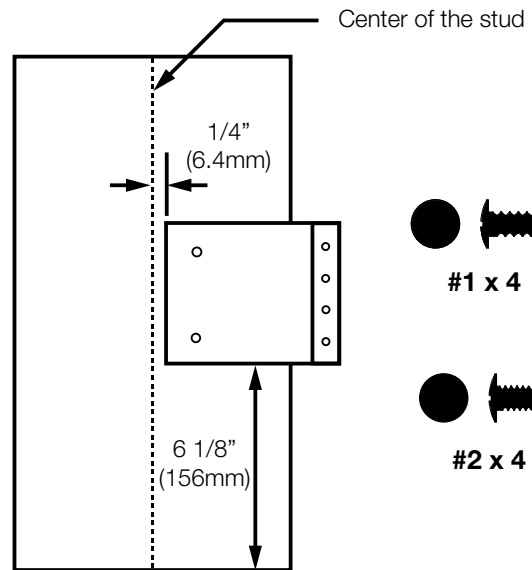


FIG. 2

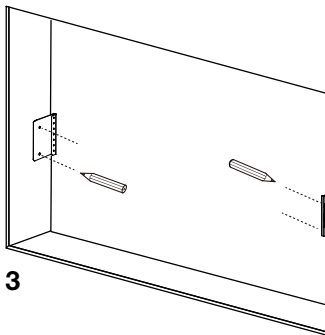


FIG. 3

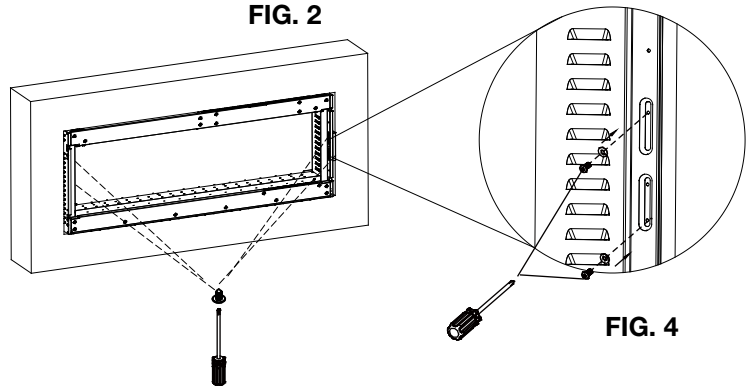


FIG. 4

- E. Mark the holes for the mounting bracket (FIG. 3).
- F. Drill marked holes.
- G. Secure the mounting brackets onto the drilled holes with supplied fasteners (#1 x 4).
- H. Insert the appliance to the frame and secure the appliance to the holes on the bracket using supplied fasteners (#2 x 4) using the slots from the appliance (FIG. 4).
- I. Install media. Refer to “media installation” section.
- J. Reinstall front trim and glass. Refer to “front trim installation / removal” and “front glass installation / removal” sections.

note:

It is recommended to have the walls of the appliance enclosure be finished (i.e. drywall) to avoid exposed insulation or vapour barrier coming in contact with the appliance. This will ensure clearance to combustibles is maintained.

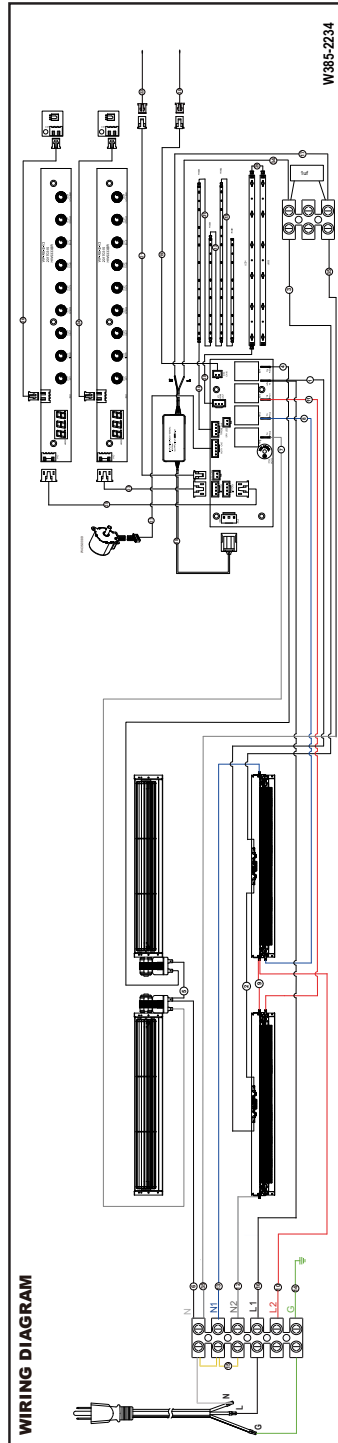
Wall anchors are not required when screwing into the wall stud.

3.1 wiring diagram

! WARNING

- Turn off the appliance completely and let cool before servicing. Only a qualified service person should service and repair this electric appliance.

NEFBD50H / NEFBD50H-SS / NEFBD50-DT / NEFBD50-SS-DT wiring diagram



3.2 hard wiring installation

⚠ WARNING

- Turn off the appliance completely and let cool before servicing. Only a qualified service person should service and repair this electric appliance.

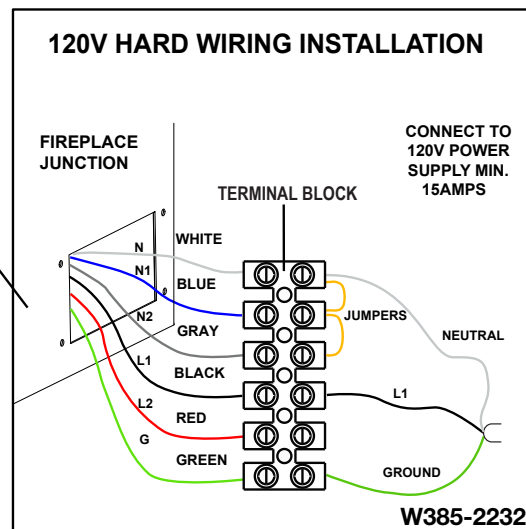
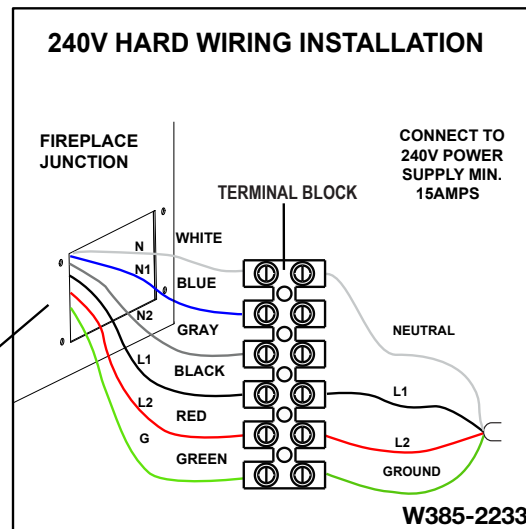
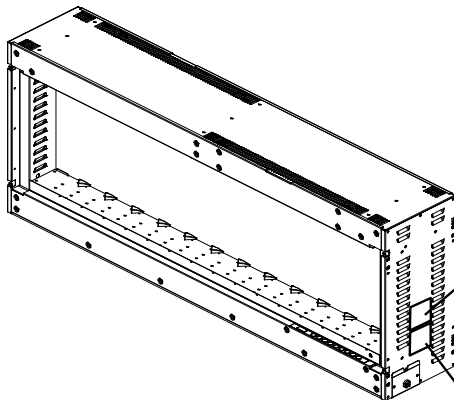
HARD WIRING CONNECTION

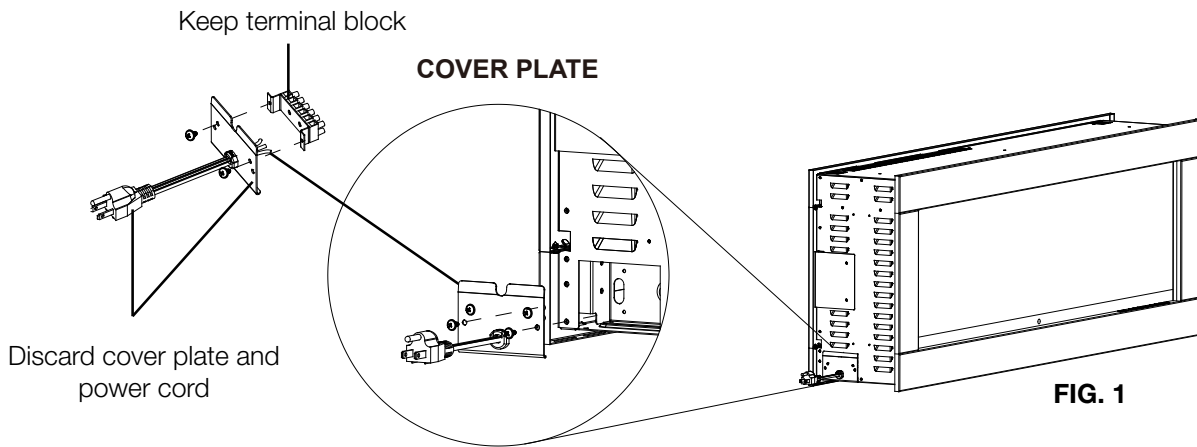
If it is necessary to hard wire this appliance, a qualified electrician must remove the cord connection, and wire the appliance directly to the household wiring. The wire and power supply breaker must be rated for 120V minimum 15 amps.

This appliance must be electrically connected and grounded in accordance with local codes, if hard wired. In the absence of local codes, use the current CSA C22.1 CANADIAN ELECTRICAL CODE in Canada or the current ANSI/NFPA 70 NATIONAL ELECTRICAL CODE in the United States.

note:

There are 6 wires from the appliance junction box: 1 green (G), 1 white (N), 1 blue (N1), 1 gray (N2), 1 black (L1), and 1 red (L2).

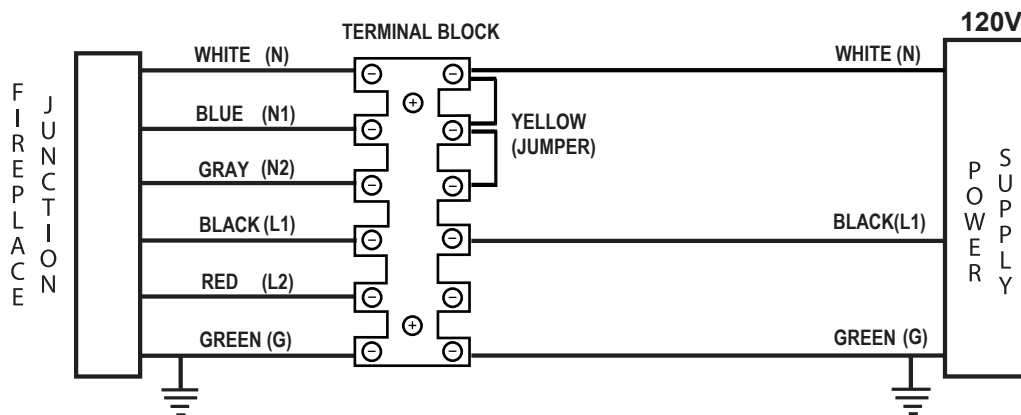




- A. Remove the cover plate from the lower left side when viewing the appliance from the front side by removing the 2 screws (FIG. 1).
- B. Remove the screws that are securing the cover plate.
- C. Remove the terminal block from the power cord.
- D. Discard power cord assembly.
- E. Hard wire appliance. Refer to “120V hard wire connection” and “240V hard wire connection” sections.
- F. Install the strain relief into the new cover plate (supplied in the hardware kit) by using the screws previously removed in step B.

3.3 120V hard wire connection

- A. Loosen the securing screw from the terminal block to remove the cord from the terminal block. **KEEP 2 WIRE JUMPERS IN THE TERMINAL BLOCK.**
- B. Add a strain relief and feed the supply wires through the 7/8” (22mm) hole from the terminal block.
- C. Insert White (N) wire from power supply to the designated (N) slots in the terminal block. Secure by tightening the screws on the (N) slots. **ENSURE JUMPER WIRES ARE SECURED.**
- D. Run Black (L1) and Green (G) wires from the power supply to designated slots on the terminal block.
- E. Re-install cover plate.



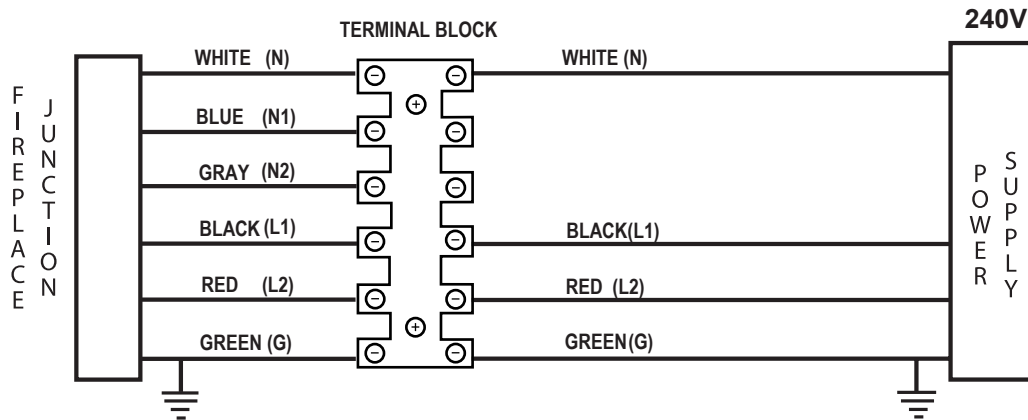
note:

Leave enough wiring so that the appliance can be removed from the enclosure without disconnecting the appliance from the power supply.

electrical information

3.4 240V hard wire connection

- A. Loosen the securing screw from the terminal block to remove the cord from the terminal block. **REMOVE 2 WIRE JUMPERS IN THE TERMINAL BLOCK.**
- B. Add a strain relief and feed the supply wires through the 7/8" (22mm) hole from the terminal block.
- C. Insert White (N) wire from power supply to the designated (N) slots in the terminal block. Secure by tightening the screws on the (N) slots.
- D. Run black (L1), Red (L2), and Green (G) wires from the power supply to designated slots on the terminal block.
- E. Re-install cover plate.



note:

Leave enough wiring so that the appliance can be removed from the enclosure without disconnecting the appliance from the power supply.

4.1 front glass installation / removal

⚠ WARNING

- Before the front trim is removed or installed, unplug the appliance and wait until appliance is cool to the touch.
- Trim can be heavy and fragile. Handle with care.

- Have 2 people lift the glass up. Place the bottom side of the glass into the appliance and then pivot it until the glass is touching the side panel (FIG. 1).
- Secure using 4 fasteners (FIG. 2).
- To remove front glass, reverse steps.

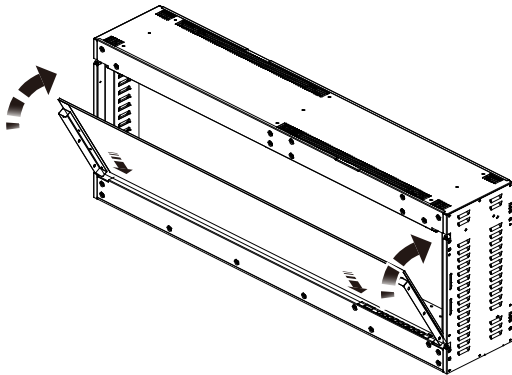


FIG. 1

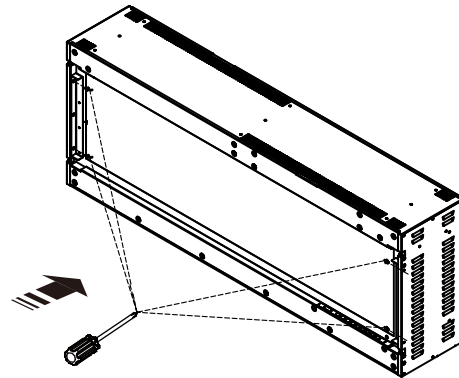


FIG. 2

4.2 front trim installation / removal

- Align the front trim to the appliance from the top and ensure the trims clip onto the brackets on the appliance (FIG. 1).
- Pull the trim down to ensure it is hooked properly onto the brackets (FIG. 2).
- Secure trims by tightening the securing fasteners (FIG. 3).
- To remove the front trim, reverse steps.

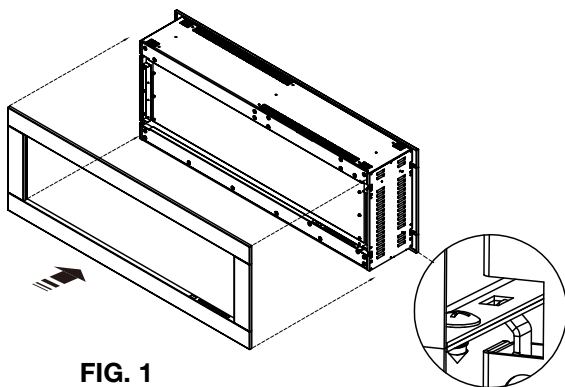


FIG. 1

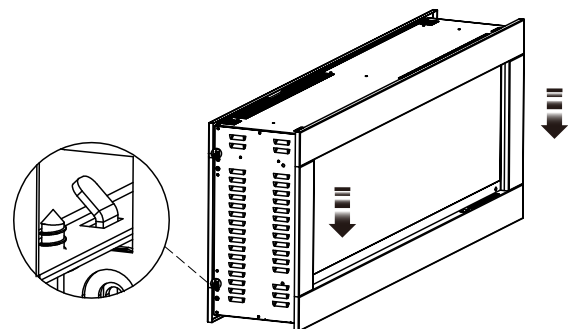


FIG. 2

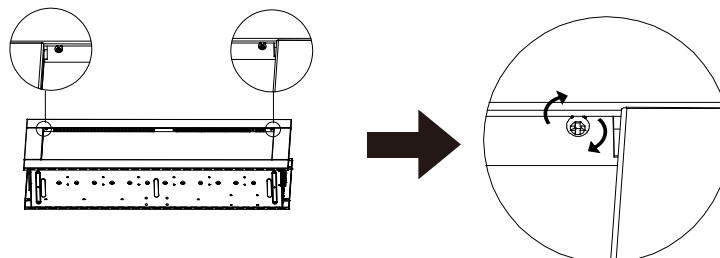


FIG. 3

finishing

4.3 media installation

There are 2 media options for this appliance: log set and acrylic crystals. The log set assembly comes pre-installed with the appliance and has to be finished with topaz glass. Refer to “log set and topaz glass installation” section. If desired, this can be switched out with acrylic crystals. Refer to “acrylic crystal media installation” section.

4.3.1 log set and topaz glass installation

Install the log set and topaz glass after framing the appliance and before installing the front glass.

If log set assembly is installed:

- A. Carefully place the topaz glass between the log set assembly (front and back side).

If acrylic crystal media is installed:

- A. Ensure to remove all acrylic crystals from the ember bed.
 B. Remove fasteners from the media tray (FIG. 1).
 C. Remove media tray (FIG. 2).
 D. Install log set assembly (FIG. 3).
 E. Carefully place the topaz glass between the log set assembly.
 F. Repeat steps on the opposite side.

note:

Do NOT cover triangular covers on the back side of the unit. Blocking the triangular covers with media will alter the flame appearance.

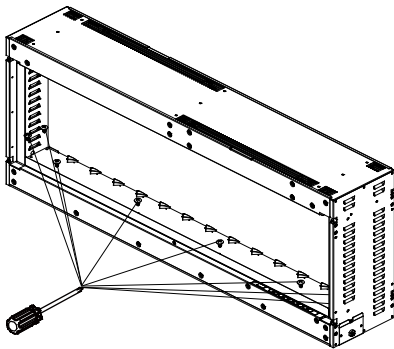


FIG. 1

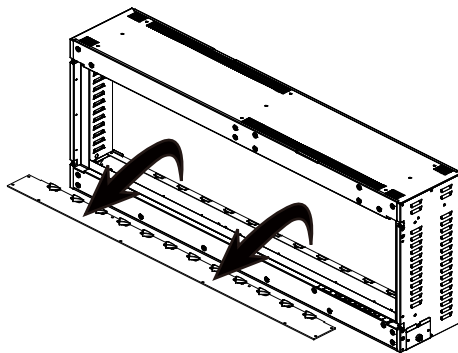


FIG. 2

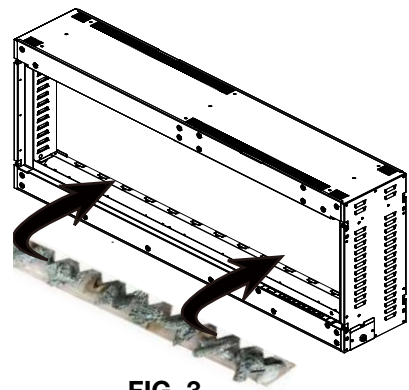


FIG. 3

4.3.2 acrylic crystal media installation

Install the acrylic crystal media after framing the appliance and before installing the front glass.

- A. Remove the fasteners from the log set assembly.
 B. Remove log set assembly.
 C. Install media tray using previously removed fasteners from the log set assembly and secure with additional supplied fasteners (4 screws for front media tray and 1 screw for back media tray).
 D. Carefully place acrylic crystals into the media tray, creating an even layer from side to side.
 E. Repeat steps on the opposite side.



#12 x 5



note:

Ensure to vacuum up any topaz glass or acrylic crystals outside the media tray area before operation.

Do NOT cover triangular covers on the back side of the unit. Blocking the triangular covers with media will alter the flame appearance.

! WARNING

- While the appliance is operating do not remove the glass panel. This will cause the remote control and touch panel to disfunction.

Once the appliance has been plugged into a grounded electrical outlet, it is ready to operate.

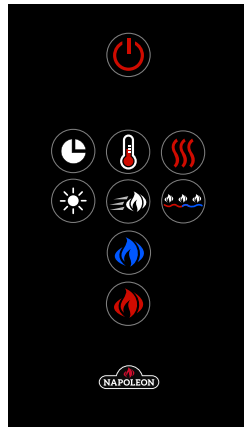
note:







Ensure the house circuit breakers for the power supply are turned on. In the event of a power failure, the appliance will lose its memory function and will reset to factory mode when the power returns.






5.1 main power button

The main power button is located on the front bottom right side of the appliance.

5.2 operating touch display panel and remote control



Power			Turns the appliance on/off.
Orange Flame	 control panel	 remote control	Controls flame brightness. Settings: F0 - Flame off F1 - Smallest flame F2 - Small flame F3 - Medium flame F4 - Bright flame F5 - Brightest flame
Blue Flame	 control panel	 remote control	Controls flame brightness. Settings: F0 - Flame off F1 - Smallest flame F2 - Small flame F3 - Medium flame F4 - Bright flame F5 - Brightest flame
Ember Bed Brightness			Controls the brightness of the ember bed light. Note: If the ember bed color is set to C11, the ember bed brightness setting cannot be changed. Settings: B0 - Off B1 - Dimmest B2 - Dim B3 - Medium B4 - Bright B5 - Brightest

Ember Bed Color		Controls ember bed light settings. Settings: C1 - Orange C2 - Red C3 - Blue C4 - Yellow C5 - Green C6 - Purple C7 - Sky Blue C8 - Magenta C9 - White C10 - Pink C11 - Cycle through C1 to C10 C12 - Lock a color during C11 cycle.
Flame Speed		Controls flame speed. There are 5 flame speed settings: S1 to S5. S1 is the slowest setting and S5 is the fastest setting.
Temperature Control		Sets desired temperature. There are 11 temperature settings: 64°F [18°C] 66°F [19°C] 68°F [20°C] 70°F [21°C] 72°F [22°C] 74°F [23°C] 76°F [24°C] 78°F [25°C] 80°F [26°C] 82°F [27°C] and OFF To switch from °C to °F or °F to °C, hold the temperature control button for 5 seconds.
Heater		Turns the heater and blower on/off. Settings: OFF - Heater and blower off BL - Blower on H1 - Heater on (1500W @ 120V and 3000W @ 240V) H- - Heater and thermostat disabled (Press and hold the heater button for 5 seconds to disable / re-enable the heater and thermostat). Each side of the appliance has an independent heater control.
Timer		Sets the timer. There are 9 timer settings: 0.5h, 1h, 2h, 3h, 4h, 5h, 6h, 7h, 8h

note:

When only the heat is on (i.e. no flames, no ember bed lights, etc.), the display window will be dim and show H1 as its status.

! WARNING

- In preparation for maintenance, always disconnect the power and allow the electric appliance to cool before performing any cleaning, maintenance, or relocation of this electric appliance. Turn controls to off and remove plug from outlet or turn of the house circuit breaker to electric appliance receptacle.
- Do not install replacement lamps that exceed specified maximum watts.
- The halogen lamps in your appliance can be extremely hot. Allow at least 10 minutes between turning off the appliance and removing the lamps to avoid accidental burns.
- Do not handle the lamp with bare fingers, oils from your skin will damage the lamps when they heat up. Use gloves or a clean dry cloth when handling lamps.

6.1 remote battery installation**! WARNING**

- This remote control requires button batteries that are hazardous to young children.
- **WARNING - KEEP BATTERIES OUT OF REACH OF CHILDREN**
- Swallowing may lead to serious injury in as little as 2 hours or death, due to chemical burns and potential perforation of the oesophagus.
- If you suspect your child has swallowed or inserted a button battery, immediately seek urgent medical assistance.
- Examine devices and make sure the battery compartment is correctly secured, e.g. that the screw or other mechanical fastener is tightened. Do not use if compartment is not secure.
- Dispose of used button batteries immediately and safely. Flat batteries can still be dangerous.
- Tell others about the risk associated with button batteries and how to keep their children safe.

**note:**

The remote control has a removable plastic tab to prolong the battery life while shipping. Remove the tab for the remote control to function.

1. To replace the existing battery remove the battery holder.
2. To remove the battery holder turn remote onto rear side and press the left side lever towards the center while pulling the battery holder out using the slot provided.
3. Replace existing battery, type CR 2025, with a new battery and reinstall the battery holder into the remote by sliding it into position, as shown.

**note:**

The remote control has a removable plastic tab to prolong the battery life while shipping. Remove the tab for the remote control to function.

The remote control must remain within 5 meters or 17 feet of the appliance to be effective. This range may be reduced when battery power is depleted.

7.0 replacement parts

WARNING

- Failure to position the parts in accordance with this manual or failure to use only parts specifically approved with this appliance may result in property damage or personal injury.

Contact your dealer for questions concerning prices and policies on replacement parts. Normally, all parts can be ordered through your Authorized dealer / distributor.

For warranty replacement parts, a photocopy of the original invoice will be required to honour the claim.

When ordering replacement parts always give the following information:

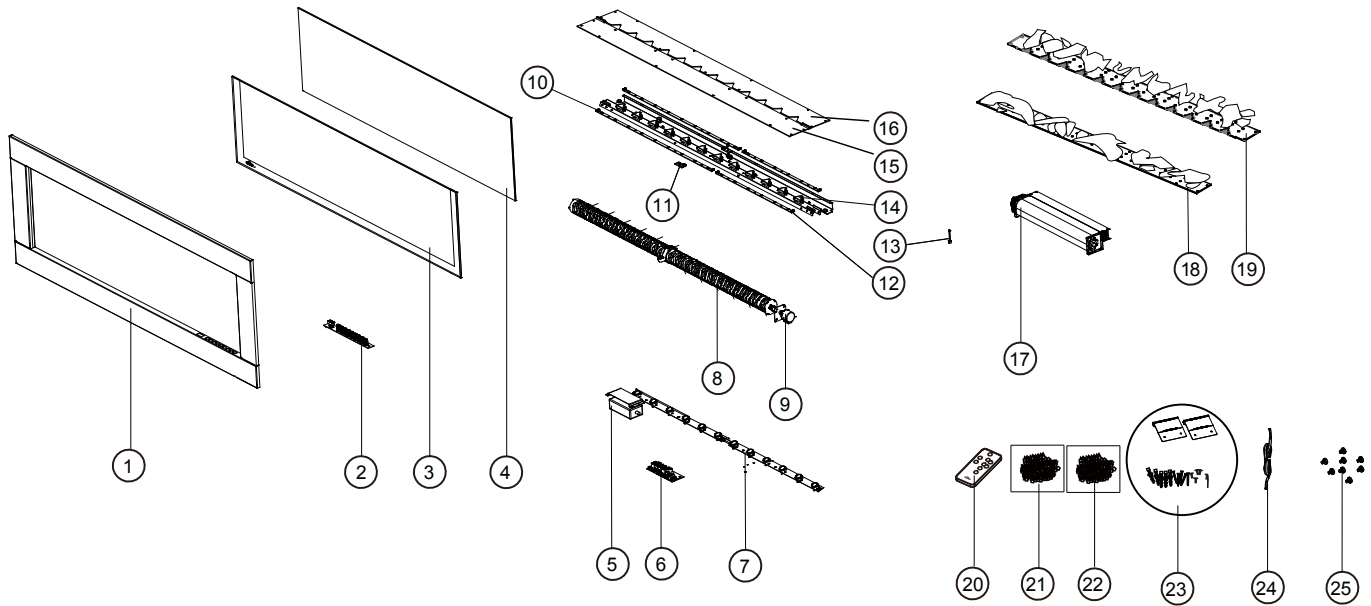
- Model & Serial Number of appliance
- Installation date of appliance
- Part number
- Description of part
- Finish

Parts, part numbers, and availability are subject to change without notice.

Parts identified as stocked will be delivered within 2 to 5 business days for most delivery destinations.

Parts not identified as stocked will be delivered within a 2 to 4 week period, for most cases.

Parts identified as 'SO' are special order and can take up to 90 days for delivery



REF.	NEFBD50H	NEFBD50H-SS	Description
1	W715-1160	W715-1161	Front Trim
2	W475-1433	W475-1433	Touch Board
3	W300-0275	W300-0275	Front Glass
4	W300-0276	W300-0276	Mirror Glass
5	W707-0028	W707-0028	Power Supply
6	W190-0127	W190-0127	Main PCB Board
7	W405-0059	W405-0059	LED Board
8	W527-0029	W527-0029	Rotisserie
9	W435-0089	W435-0089	Rotisserie Motor
10	W405-0058	W405-0058	9 RGB Board
11	W405-0060	W405-0060	Receiver
12	W405-0057	W405-0057	6 RGB Board
13	W405-0061	W405-0061	Thermostat
14	W405-0062	W405-0062	Triangular Cover
15	W497-0046	W497-0046	Front Media Tray
16	W497-0047	W497-0047	Back Media Tray
17	W010-4243	W010-4243	Blower and Heater Assembly
18	W135-0732	W135-0732	Front Log Assembly
19	W135-0733	W135-0733	Back Log Assembly
20	W190-0128	W190-0128	Remote Control
21	W300-0277	W300-0277	Topaz Glass
22	W497-0048	W497-0048	Acrylic Crystals
23	W370-0127	W370-0127	Wall Mount Kits
24	W750-0442	W750-0442	Wire Harness
25	W430-0022	W430-0022	8 Stainless Steel Magnetic Buttons

REF.	NEFBD50H	NEFBD50H-SS	Description
26*	NEFB50H-DTRM		Black Deep Trim Front
27*	NEFBD50H-SS-DTRM		Stainless Steel Deep Trim Front

*These parts are accessories and are sold separately.

8.0 troubleshooting

WARNING

- Turn off the appliance completely and let cool before servicing. Only a qualified service person should service and repair this electric appliance.

symptom	problem	test solution
Dim or no flame	Flame brightness not selected.	See "operation" section.
	Flame LEDs are burnt out.	Inspect the LED and replace, if necessary.
	Main PCB board burnt out.	Inspect the Main PCB board and replace, if necessary.
Ember bed is not glowing or dimming.	Brightness not selected.	See "operation" section.
	Ember LEDs are burnt out.	Inspect the ember bed LEDs and replace, if necessary.
	Main PCB board burnt out.	Inspect the Main PCB board and replace, if necessary.
No warm air coming out of appliance.	Heater setting not selected.	See "operation" section.
	Heater has been locked out.	See "operation" section.
	Room temperature is higher than appliance setting (if set to room temperature).	Reset temperature setting.
	Appliance has overheated and safety thermal switch has tripped.	Unplug power and turn off the circuit breaker. Allow for appliance to cool for 15 minutes.
	Heater is burnt out	Inspect the blower and heater and replace, if necessary.
Appliance turns off and will not turn on.	House circuit breaker has tripped.	Reset house circuit breaker.
	Appliance's fuse has blown.	Replace the fuse.
	Appliance has overheated and safety thermal switch has tripped.	Unplug power cord and allow appliance to cool for 15 minutes, then plug in the power cord and turn the power ON.
Appliance will not come on when power button/switch is put into the "on" position.	Appliance is not plugged into an electrical outlet.	Check plug and plug it in.
	Hard wire connections are not correct (if applicable).	See "hard wiring installation" section.
	Appliance has overheated and safety thermal switch has tripped.	Unplug power or turn off the circuit breaker. allow appliance to cool Unplug power cord and allow appliance to cool for 15 minutes, then plug in the power cord and turn the power ON.
	Circuit board is burnt out.	Inspect the circuit board and replace, if necessary.
Remote control does not work.	Low/dead batteries.	Replace batteries in remote control.
	Remote receiver malfunction.	Ensure remote receiver is not blocked. Replace control panel.
Heater shuts off automatically	Room is too warm.	The heater has a built-in thermostat so it will shut off automatically once the pre-set temperature is reached. It will also turn on automatically if the room temperature drops below the pre-set temperature.
Flame does not move.	Motor stalled/malfunction.	Cycle on/off. If problem persists, consult dealer.
Touch panel / Remote control does not work	The front glass is moved or not secured properly.	Unplug the appliance, if the appliance is recessed to the wall, shut off house circuit breaker. Ensure the front glass is in the correct location and is sitting flat to the appliance touch panel. After 10 seconds, plug or turn on the appliance to reset it.

note:

Care must be taken when removing and disposing of any broken glass or damaged components. Be sure to vacuum up any broken glass from inside the appliance before operation.

If the thermal switch has tripped, the appliance will emit a beeping sound.

Napoleon electric appliances are manufactured under the strict Standard of the world recognized ISO 9001 : 2015 Quality Management System.

Napoleon products are designed with superior components and materials and assembled by trained craftsmen who take great pride in their work. Once assembled, the complete appliance is thoroughly inspected by a qualified and authorized installer, service agency, or supplier before packing to ensure that you, the customer, receive the quality product that you expect from **Napoleon**.

Napoleon Electric Appliance Limited Warranty

Electrical components and wearable parts are covered and **Napoleon** will provide replacement parts free of charge during the first year of limited warranty. This covers: fan/heaters, motors, switches, nylon bearing components, remote controls, and LED lights.*

Light bulbs and fuses are **NOT** covered by the warranty.

Any labour related to warranty repair is not covered.

* Construction of models vary. Warranty applies only to components included with your specific appliance.

Conditions and Limitations

Napoleon warrants its products against manufacturing defects to the original purchaser only. Registering your warranty is not necessary. Simply provide your proof of purchase along with the model and serial number to make a warranty claim. Provided that the purchase was made through an authorized **Napoleon** dealer, your appliance is subject to the following conditions and limitations:

Warranty coverage begins on the date of original installation.

This factory warranty is non-transferable and may not be extended whatsoever by any of our representatives.

Installation must be done in accordance with the installation instructions included with the product and all local and national building and fire codes.

This limited warranty does not cover damages caused by misuse, lack of maintenance, accident, alterations, abuse, or neglect and parts installed from other manufacturers will nullify this warranty.

This limited warranty further does not cover any scratches, dents, corrosion, or discolouring caused by excessive heat, abrasive and chemical cleaners, nor chipping on porcelain enamel parts, mechanical breakage of PHAZER™ logs.

In the first year only, this warranty extends to the repair or replacement of warranted parts which are defective in material or workmanship, provided that the product has been operated in accordance with the operation instructions and under normal conditions.

Napoleon will not be responsible for installation, labour, or any other expenses related to the reinstallation of a warranted part, and such expenses are not covered by this warranty. Notwithstanding any provisions contained in the Limited Warranty, **Napoleon** responsibility under this warranty is defined as above, and it shall not in any event extend to any incidental, consequential, or indirect damages.

This warranty defines the obligations and liability of **Napoleon** with respect to the **Napoleon** electric appliance and any other warranties expressed or implied with respect to this product; its components or accessories are excluded.

Napoleon neither assumes, nor authorizes any third party to assume, on its behalf, any other liabilities with respect to the sale of this product.

Any damages to appliance, brass trim or other component due to water, weather damage, long periods of dampness, condensation, damaging chemicals, or cleaners will not be the responsibility of **Napoleon**.

Napoleon reserves the right to have its representative inspect any product or part thereof prior to honouring any warranty claim.

All parts replaced under the Limited Warranty Policy are subject to a single claim.

All parts replaced under the warranty will be covered for a period of 90 days from the date of their installation.

The manufacturer may require that defective parts or products be returned or that digital pictures be provided to support the claim. Returned products are to be shipped prepaid to the manufacturer for investigation. If a product is found to be defective, the manufacturer will repair or replace such defect.

Before shipping your appliance or defective components, your dealer must obtain an authorization number. Any merchandise shipped without authorization will be refused and returned to sender.

Shipping costs are not covered under this warranty.

Additional service fees may apply if you are seeking warranty service from a dealer.

All specifications and designed are subject to change without prior notice due to on-going product improvements. **Napoleon** is a registered trademark of Wolf Steel Ltd.

NAPOLEON CELEBRATING OVER 40 YEARS OF HOME COMFORT PRODUCTS



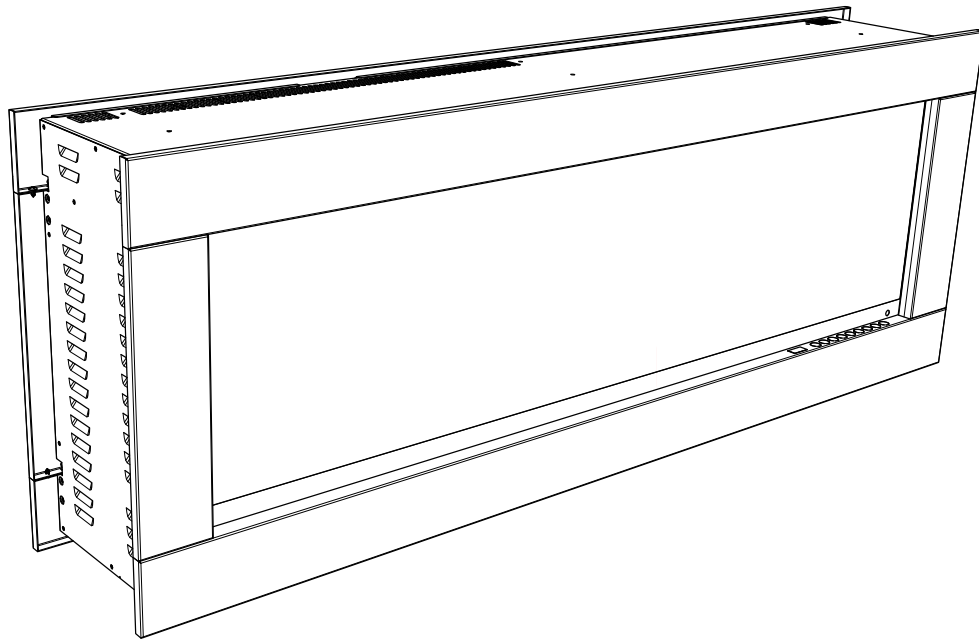
7200, Route Transcanadienne, Montréal, Québec H4T 1A3
24 Napoleon Road, Barrie, Ontario, Canada L4M 0G8
214 Bayview Drive, Barrie, Ontario, Canada L4N 4Y8
103 Miller Drive, Crittenden, Kentucky, USA 41030

Phone: 1-866-820-8686
napoleonproducts.com



INSTRUCTIONS D'INSTALLATION ET D'OPERATION

SÉRIES CLEARION™
(NEFBD50H ILLUSTRÉ)



CONSIGNES DE SÉCURITÉ

AVERTISSEMENT

RISQUE D'INCENDIE OU D'EXPLOSION

Si ces instructions ne sont pas suivies à la lettre, un incendie pourrait s'ensuivre causant des dommages matériels, des blessures corporelles ou des pertes de vie.

- N'entrez pas et n'utilisez pas d'essence ou autres liquides et vapeurs inflammables à proximité de cet appareil ou tout autre appareil.

INSTALLATEUR:

Laissez ce manuel avec l'appareil

PROPRIÉTAIRE:

Conservez ce manuel pour consultation ultérieure.



Cet appareil dispose d'une télécommande qui nécessite des piles à bouton qui sont dangereuses pour les jeunes enfants

POUR L'UTILISATION INTÉRIEUR SEULEMENT

CERTIFIÉ SELON LES NORMES NATIONALES CANADIENNES ET AMÉRICAINES:
CSA 22.2 NO. 46/ UL 1278



Wolf Steel Ltd., 24 Napoleon Rd., Barrie, ON, L4M 0G8 Canada / 103 Miller Drive, Crittenden, Kentucky, USA, 41030
Téléphone 1 (866) 826 8686 • www.napoleonfoyers.com • hearth@napoleonproducts.com

AVERTISSEMENT

- **Si équipé avec un chauffage, cet appareil peut être chaud lorsqu'il fonctionne et peut causer de graves brûlures en cas de contact.**
- Ne faites pas fonctionner l'appareil avant d'avoir lu et compris les instructions d'utilisation. L'incapacité de respecter les instructions pourrait causer un incendie ou des blessures corporelles.
- N'installez pas de composants endommagés ou incomplets, ni des composants de substitution.
- Ne brûlez pas de bois ou autres matériaux dans cet appareil.
- Tous les appareils électriques contiennent des composants internes qui deviennent chauds et qui produisent des étincelles. N'utilisez pas cet appareil dans des endroits où de l'essence, des peintures ou d'autres liquides inflammables sont présents.
- Les grillages de sécurités ou écrans enlevés pour faire l'entretien devront être remis en place avant d'utiliser l'appareil.
- Il est primordial de garder propres les compartiments de contrôle, les brûleurs, la soufflerie, les bouches d'air de l'appareil ainsi que le système d'évacuation. L'appareil et son système d'évacuation doivent être inspectés avant la première utilisation et au moins une fois l'an par un spécialiste en entretien. Un entretien plus fréquent pourrait être nécessaire en raison des peluches provenant des tapis, literie, etc. L'emplacement de l'appareil doit être gardé libre de tous matériaux combustibles, essence ou autres liquides et vapeurs inflammables.
- Cet appareil ne devra être modifié en aucun cas.
- N'utilisez pas cet appareil si une partie quelconque a été submergée. Contactez immédiatement un technicien de service qualifié pour inspecter l'appareil et pour remplacer toute pièce du système de contrôle qui aurait été submergée.
- Si équipé avec une porte vitrée, n'opérer pas l'appareil lorsque la porte vitrée est enlevée, fissurée ou brisée. Le remplacement de la vitre devra être effectué par un technicien de service certifié ou qualifié.
- Si équipé avec un porte vitrée, ne frappez pas et ne claquez pas la porte vitrée de l'appareil.
- Les matériaux d'emballage doivent être gardés hors de la portée des enfants et mis au rebut de façon sécuritaire. Comme tous les emballages de plastique, ceux-ci ne sont pas des jouets et doivent demeurer hors de la portée des enfants et des bébés.
- L'entretien ne doit être effectué que lorsque l'appareil est débranché du circuit électrique.
- Débranchez toujours l'appareil lorsqu'il n'est pas utilisé.
- N'utilisez pas l'appareil si le cordon d'alimentation ou la fiche sont endommagés, s'il ne fonctionne pas bien, ou s'il a été échappé ou endommagé d'une quelconque façon. Retournez l'appareil à un centre de service autorisé pour une inspection, des ajustements électriques ou mécaniques ou une réparation.
- N'utilisez pas cet appareil à l'extérieur.
- Ne placez jamais l'appareil à un endroit où le risque de tomber dans un baignoire ou tout autre réservoir contenant de l'eau.
- Ne passez pas le cordon d'alimentation sous un tapis. Ne recouvrez pas le cordon avec des carpettes, des tapis de couloir ou autres revêtements similaires. Évitez de placer le cordon dans un endroit passant ou à un endroit où il risque de causer des chutes.
- Branchez seulement dans une prise de courant adéquatement mise à la terre.
- N'insérez pas d'objets dans les ouvertures d'entrée d'air ou de sortie d'air puisque cela risque d'endommager l'appareil ou causer des chocs électriques ou un incendie.

! AVERTISSEMENT

- Pour prévenir les risques d'incendie, ne bloquez pas les entrées d'air et les sorties d'air de quelque manière que ce soit. Ne placez pas cet appareil sur une surface molle telle qu'un tapis où les ouvertures pourraient se bloquer.
- Toujours brancher l'appareil directement dans une prise murale. N'utilisez pas de cordons d'alimentation ou une robinet d'alimentation relogables (alimentation/multiprise).
- Cet appareil a été testé et homologué pour usage avec les accessoires optionnels listés dans ce manuel uniquement. L'utilisation d'accessoires optionnels qui n'ont pas été spécifiquement testés pour cet appareil électrique annulera la garantie de l'appareil et/ou présentera des risques pour la sécurité.

Pour les appareil équipé avec chauffage:

- Risque de brûlures. L'appareil doit être éteint et refroidi avant d'effectuer l'entretien. Pour débrancher l'appareil, mettez d'abord les boutons de contrôle à « OFF » puis retirez la fiche de la prise de courant.
- Les jeunes enfants doivent être supervisés attentivement lorsqu'ils sont dans la même pièce que l'appareil recommandés s'il y a dans la maison des individus à risque. Les jeunes enfants et autres personnes sont sujets aux brûlures accidentelles. Une barrière de protection est recommandée s'il y a dans la maison des individus à risque. Afin de restreindre l'accès à l'appareil, installez une barrière de protection ajustable pour garder les jeunes enfants ou autres personnes à risque hors de la pièce et loin des surfaces chaudes.
- Les vêtements et autres matériaux combustibles ne doivent pas être posés sur l'appareil ou à proximité.
- En raison des températures élevées, l'appareil devrait être placé loin des endroits passants et loin des meubles et des rideaux.
- Assurez-vous de disposer de mesures de sécurité adéquates pour empêcher les jeunes enfants de toucher aux surfaces chaudes.
- Même lorsque l'appareil est éteint, la porte et l'écran de meureront chauds pendant un bon moment.
- Consultez votre détaillant local de foyer pour connaître les grillages de sécurité et les écrans offerts pour protéger les enfants des surfaces chaudes. Ces grillages de sécurité et ces écrans doivent être fixés au plancher.
- Assurez-vous de respecter les dégagements aux matériaux combustibles lorsque vous installez un manteau ou des tablettes au-dessus de l'appareil. Les téléviseurs et autres composants électroniques sournis à des températures élevées peuvent fondre, se déformer, se décolorer et entraîner des défaillances prématurées de ces appareils.

table des matières

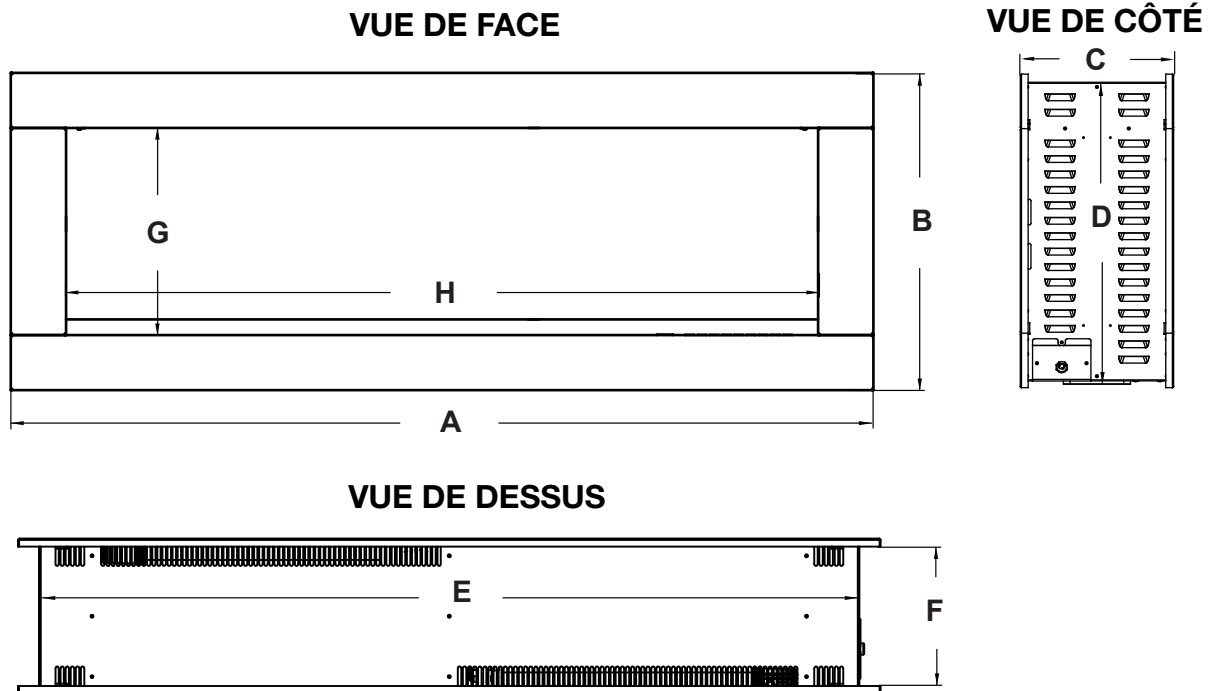
FR

1.0	information générales	31
1.1	dimensions	31
1.2	information produit	31
1.3	instruction générales	32
1.4	appareil de déballage et de contrôle	32
1.5	list de pièces	33
1.6	homologations	34
1.7	emplacement de l'étiquette	34
2.0	installation	35
2.1	appareil de localisation	35
2.2	mise à la terre de l'appareil	36
2.3	dégagement minimum pour les combustibles	36
2.4	dégagements minimaux	36
2.5	encadrement	37
2.6	installation de l'appareil	38
3.0	information électrique	39
3.1	schéma de câblage	39
3.2	installation de câblage dur	40
3.3	120V connexion de fil dur	41
3.4	240V connexion de fil dur	42
4.0	finition	43
4.1	installation / enlèvement du verre avant	43
4.2	installation / enlèvement de garniture avant	43
4.3	installation de média	44
4.3.1	ensemble de verrous et installation de verre topaze	44
4.3.2	installation de cristaux en acrylique	44
5.0	mode d'emploi	45
5.1	bouton d'alimentation principal	45
5.2	panneau d'affichage et télécommande	45
6.0	entretien	47
6.1	Installation de la batterie à distance	47
7.0	rechanges	48
8.0	guide de dépannage	50
9.0	garantie	51

note:

L'information contenue dans ce manuel est jugée correcte au moment de l'impression. Wolf Steel Ltd. se réserve le droit de modifier ou de modifier toute information contenue dans ce manuel à tout moment sans préavis. Les modifications, autres que les éditoriaux, sont désignées par une ligne verticale dans la marge.

1.1 dimensions



1.2 information produit

Cet appareil a été testé conformément aux normes CSA pour les appareils électroménagers fixes et dédiés aux locaux électriques aux États-Unis et au Canada. Si vous avez besoin d'aide lors de l'installation, contactez votre agence locale.

Dimensions								
	A	B	C	D	E	F	G	H
NEFBD50H	50" (1270mm)	18 3/8" (467,2mm)	9" (228,6mm)	17 11/16" (450mm)	47 9/16" (1207,8mm)	8 1/16" (205,2mm)	12" (304,8mm)	43 5/8" (1107,6mm)
NEFBD50H-SS	50" (1270mm)	18 3/8" (467,2mm)	9" (228,6mm)	17 11/16" (450mm)	47 9/16" (1207,8mm)	8 1/16" (205,2mm)	12" (304,8mm)	43 5/8" (1107,6mm)
NEFBD50H-DT	50" (1270mm)	18 3/8" (467,2mm)	9" (228,6mm)	17 11/16" (450mm)	47 9/16" (1207,8mm)	4 9/16" (116,3mm)	12" (304,8mm)	43 5/8" (1107,6mm)
NEFBD50H-SS-DT	50" (1270mm)	18 3/8" (467,2mm)	9" (228,6mm)	17 11/16" (450mm)	47 9/16" (1207,8mm)	4 9/16" (116,3mm)	12" (304,8mm)	43 5/8" (1107,6mm)

	Poids Net	Poids Brut
NEFBD50H	98,1 lbs (44,5kg)	116,8 lbs (53kg)
NEFBD50H-SS	99,2 lbs (45kg)	117,9 lbs (53,5kg)
NEFBD50H-DT	101,4 lbs (46kg)	120 lbs (54,5kg)
NEFBD50H-SS-DT	102,5 lbs (46,5kg)	121,3 lbs (55kg)

Description	Voir à travers électrique foyer
Type	Foyers Électrique
Voltage	120V AC / 240V AC
Puissance	MAX 1500W / 3000W
Ampères	15 amps

information générales

FR

1.3 instruction générales

- Avant de brancher votre appareil dans une prise de courant, vérifiez si le disjoncteur de la maison pour ce circuit est allumé.
- Il est possible que l'appareil dégage une légère odeur inoffensive lors de la première utilisation. Cela est une condition normale causée par le chauffage initial des éléments de l'appareil. Elle ne se reproduira plus.
- Si votre appareil n'émet pas de chaleur, consultez la section « FONCTIONNEMENT » de ce manuel pour de plus amples renseignements.
- Utilisez avec un limiteur de surtension certifié CSA ou UL.
- Ne faites pas passer le cordon d'alimentation directement sous l'appareil.

Cet appareil électrique répond aux normes de construction et de sécurité du H.U.D. pour des applications dans des maisons préfabriquées lorsque installé selon ces instructions.

Comme pour la plupart des appareils électroniques, votre nouvelle cheminée électrique a été conçue pour fonctionner à des températures entre 5°C (41°F) et 35°C (95°F). Pendant les mois d'hiver plus froids, laissez le foyer atteindre la température ambiante avant de l'allumer.

1.4 appareil de déballage et de contrôle

Retirez délicatement l'appareil de la boîte. Avant d'installer l'appareil, vérifiez que l'appareil fonctionne correctement en branchant le cordon d'alimentation dans une prise mise à la terre de 120 volts et 15 ampères.

Retirez délicatement l'appareil de la boîte. Avant d'installer l'appareil, vérifiez que l'appareil fonctionne correctement en branchant le cordon d'alimentation dans une prise mise à la terre de 120 volts et 15 ampères.

L'appareil est livré avec un panneau de fibres de densité moyenne (panneau MDF) installé sur les côtés. Enlevez les attaches de chaque côté (FIG. 1).

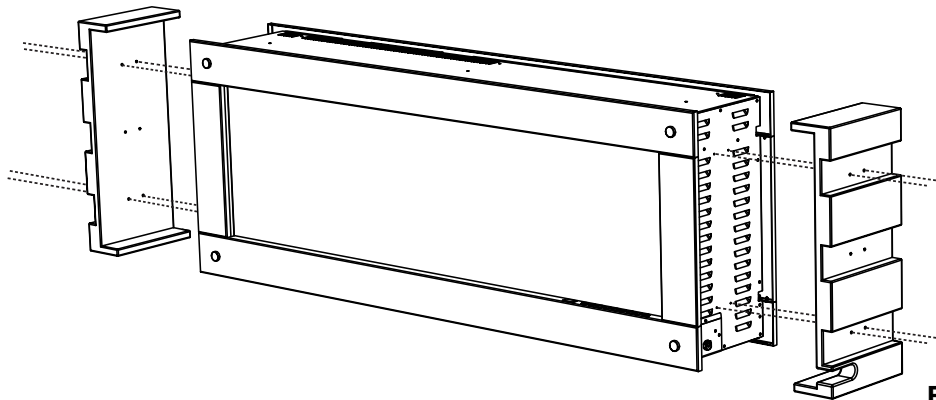


FIG. 1

Utilisez 4 attaches fournies de chaque côté pour recouvrir les trous de fixation de la carte MDF (FIG. 2).



#2 x 8

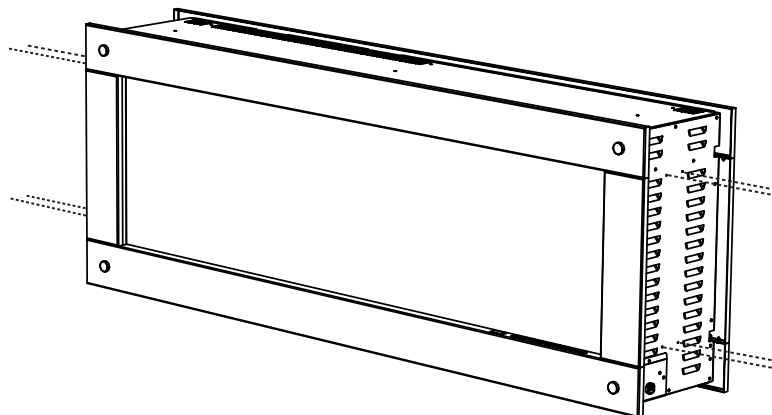
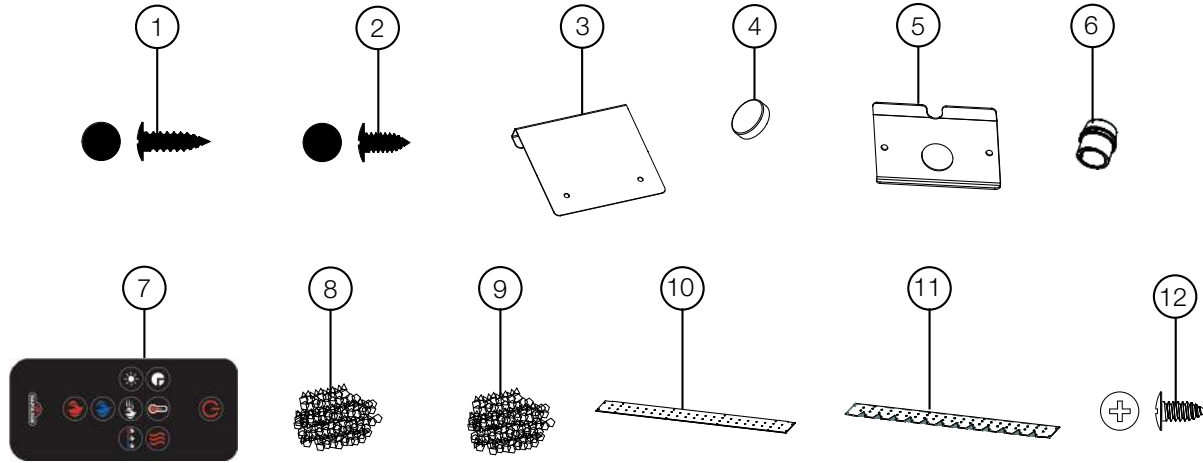


FIG. 2

1.5 list de pièces



Réf. #	Description	Quantité			
		NEFBD50H	NEFBD50H-SS	NEFBD50H-DT	NEFBD50H-SS-DT
1	Vis métalliques (Noir)			4	
2	Vis métalliques (Noir)			12	
3	Support de montage			2	
4	Bouton d'ajustement			8	
5	Plaque de couverture			1	
6	Soulagement des contraintes			1	
7	Telecommandé			2	
8	Cristaux acryliques			3,5 lbs (1,6kg)	
9	Verre de topaze			3 lbs (1,4kg)	
10	Bac de support (avant)			1	
11	Bac de support (arrière)			1	
12	Vis métalliques (nickel)			5	

information générales

FR

1.6 information sur la plaque d'homologations

CERTIFIED UNDER CANADIAN AND AMERICAN NATIONAL STANDARD: CSA 22.2 NO. 46 AND UL 2021 / HOMOLOGUÉ SELON LES NORMES NATIONALES CANADIENNES ET AMÉRICAINES: CSA 22.2 NO. 46 UL 2021

ELECTRIC FIREPLACE. SUITABLE FOR BEDROOM AND BED-SITTING ROOM INSTALLATION. SUITABLE FOR MOBILE HOME INSTALLATION.

FOYER À ÉLECTRIQUE. HOMOLOGUÉ POUR INSTALLATION DANS UNE CHAMBRE À COUCHER, UNE SALLE DE BAIN ET UN STUDIO. APPROPRIÉ POUR INSTALLATION DANS UNE MAISON MOBILE.

MASTER CONTRACT: 161746 **CONTRAT-CADRE: 161746**

NEFBD50H NEFBD50H-SS **MODEL** CEFBD50H CEFBD50H-SS
 NEFBD50H-DT NEFBD50H-SS-DT CEFBD50H-DT CEFBD50H-SS-DT

VOLTAGE: 120/240 V **TENSION:** 120/240 V
FREQUENCY: 60Hz **FRÉQUENCE:** 60Hz
POWER: 1500W/3000W **PUISSANCE:** 1500W/3000W

DATE CODE: **CODE DE DATE:**

DESIGNED IN NORTH AMERICA BY WOLF STEEL LTD. DÉSIGNÉ AMÉRIQUE DU NORD PAR WOLF STEEL LTD.
WOLF STEEL LTD. MADE IN CHINA FABRIQUÉ EN CHINE
24 NAPOLEON ROAD,
BARRIE, ON, L4M 0G8 CANADA

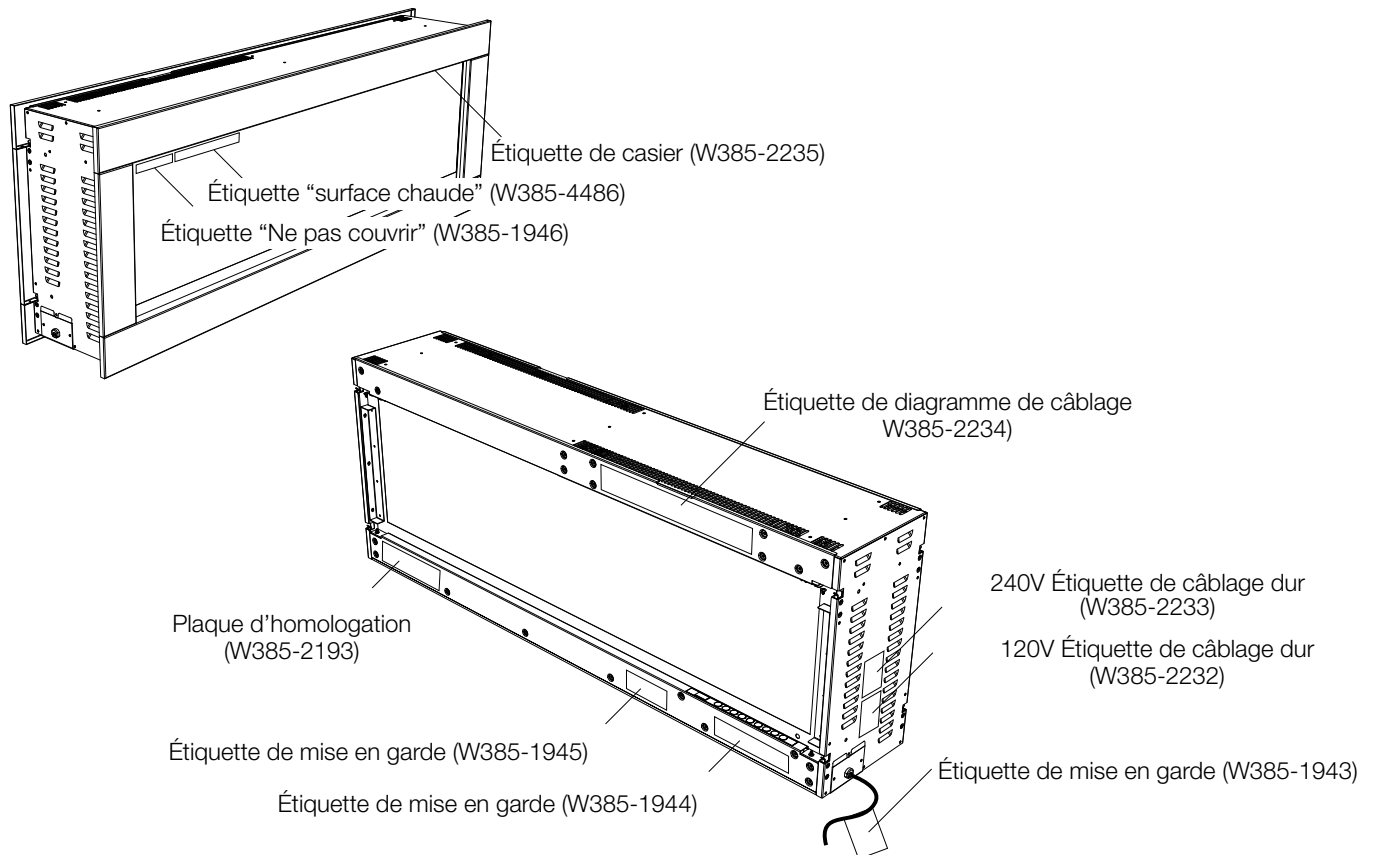
SERIAL NUMBER/NO. DE SERIE: NEFBD50 W385-2193 / A

Cette illustration est uniquement à titre de référence. Consultez la plaque d'homologation pour obtenir l'information précise.

note:

La plaque d'homologation doit rester avec l'appareil en tout temps. Il ne doit pas être enlevé.

1.7 emplacement de l'étiquette



⚠ AVERTISSEMENT

- Risque d'incendie! Le cordon d'alimentation ne doit pas être coincé contre une arrête vive. Fixez le cordon pour éviter les chutes ou les accrochages afin de réduire le risque d'incendie, de choc électrique ou de blessures corporelles. Ne passez pas le cordon d'alimentation sous un tapis. Ne recouvrez pas le cordon avec des carpettes, des tapis de couloir ou autres revêtements similaires. Évitez de placer le cordon dans un endroit passant ou à un endroit où il risque de causer des chutes.
- Risque d'incendie! Pour prévenir les risques d'incendie, ne bloquez pas les entrées d'air et les sorties d'air de quelque manière que ce soit. Ne placez pas cet appareil sur une surface molle où les ouvertures pourraient se bloquer.
- Risque d'incendie! Ne soufflez pas ou ne placez pas d'isolant contre l'appareil.
- Cet appareil électrique a été testé et homologué pour usage avec les accessoires optionnels listés dans ce manuel uniquement. L'utilisation d'accessoires optionnels qui n'ont pas été spécifiquement testés pour cet appareil électrique annulera la garantie de l'appareil et/ou présentera des risques pour la sécurité.
- Si ces instructions ne sont pas suivies à la lettre, un incendie ou une explosion pourraient s'ensuivre, causant des dommages matériels, des blessures corporelles ou des pertes de vie. N'entrez pas et n'utilisez pas d'essence ou autres vapeurs inflammables à proximité de cet appareil ou tout autre appareil.
- Étant donné la lourdeur de cet appareil, il est recommandé que deux personnes en fassent l'installation.
- Si votre appareil est équipé avec chauffage, assurez-vous que les ouvertures de la chauffage ne peut pas, dans aucune façon, être recouverts car il peut provoquer un incendie.
- N'exécutez pas le cordon d'alimentation horizontalement, directement en dessous de l'appareil.

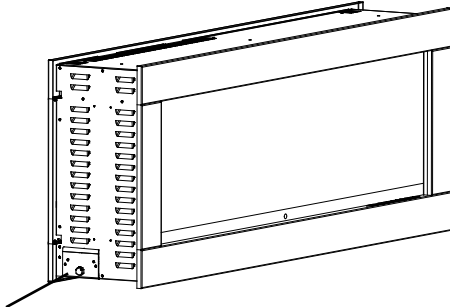
Votre appareil est un appareil installé sur le mur, encastré et / ou aménagé. Sélectionnez un endroit approprié qui ne soit pas susceptible d'être humide et qu'il soit éloigné des rideaux, des meubles et des zones à fort trafic.

note:

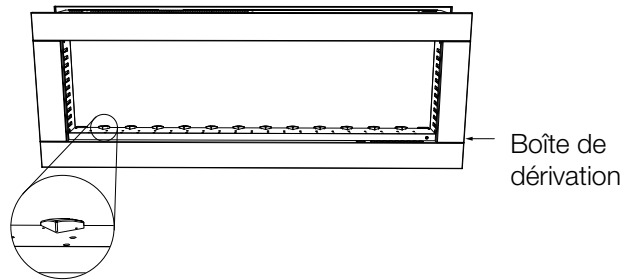
Suivez tous les codes électriques nationaux et locaux.

Pour déterminer l'arrière de l'appareil, les couvercles triangulaires doivent être visibles depuis la zone de visualisation lorsque l'appareil est visualisé du côté arrière. Alternativement, vous pouvez déterminer l'arrière de l'appareil en localisant la boîte de jonction sur le côté droit de l'appareil lorsqu'elle est vue de l'arrière.

FACE AVANT



COULEUR ARRIÈRE



Boîte de dérivation

Couvercles
triangulaires

2.1 appareil de localisation

⚠ AVERTISSEMENT

- En raison des températures élevées, cet appareil électrique doit être situé hors de circulation. Conservez des matériaux combustibles tels que des meubles, des coussins, des litières, des papiers, des vêtements et des rideaux à au moins 36" (91,4 cm) de l'avant de l'appareil.
- Ne placez jamais cet appareil électrique là où il peut tomber dans une baignoire ou un autre contenant d'eau.
- Portez des gants de sécurité et des lunettes de sécurité pour la protection pendant l'installation et la maintenance.
- Pour éviter tout contact avec une isolation affaissée ou perdue, l'appareil électrique ne doit pas être installé contre un pare-vapeur ou un isolant exposé. Une surchauffe localisée pourrait se produire et un incendie pourrait en résulter.
- N'exposez pas l'appareil électrique aux éléments (pluie, etc.).

installation

FR

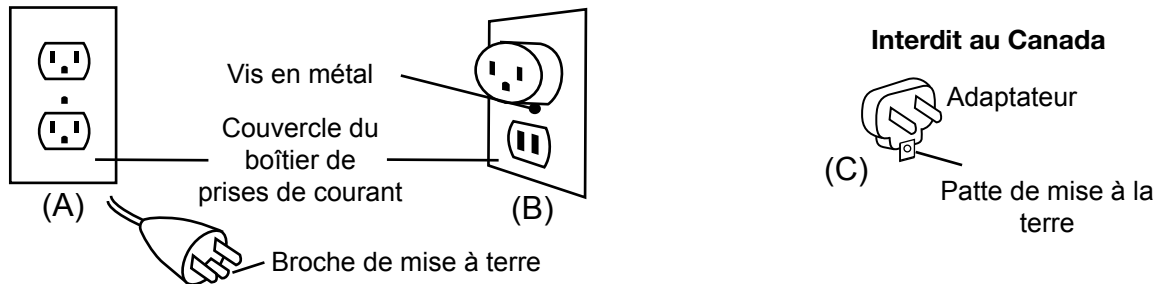
2.2 mise à la terre de l'appareil

Cet appareil doit être branché sur un circuit de 120 volts. Son cordon d'alimentation est équipé d'une fiche comme illustré en (A) ci-contre. Un adaptateur, tel qu'illustré en (C), est disponible pour brancher des fiches à trois branches avec mise à la terre dans des prises à deux fentes, tel qu'illustré en (B).

La patte verte de mise à la terre de l'adaptateur doit être branchée dans une prise de courant mise à la terre de façon permanente telle qu'un boîtier de prises de courant mis à la terre. L'adaptateur ne doit pas être utilisé si une prise de courant mise à la terre à trois fentes est disponible.

Pour débrancher l'appareil, mettez les boutons de contrôle à « OFF » puis retirez la fiche de la prise du courant.

Méthodes de mise à la terre



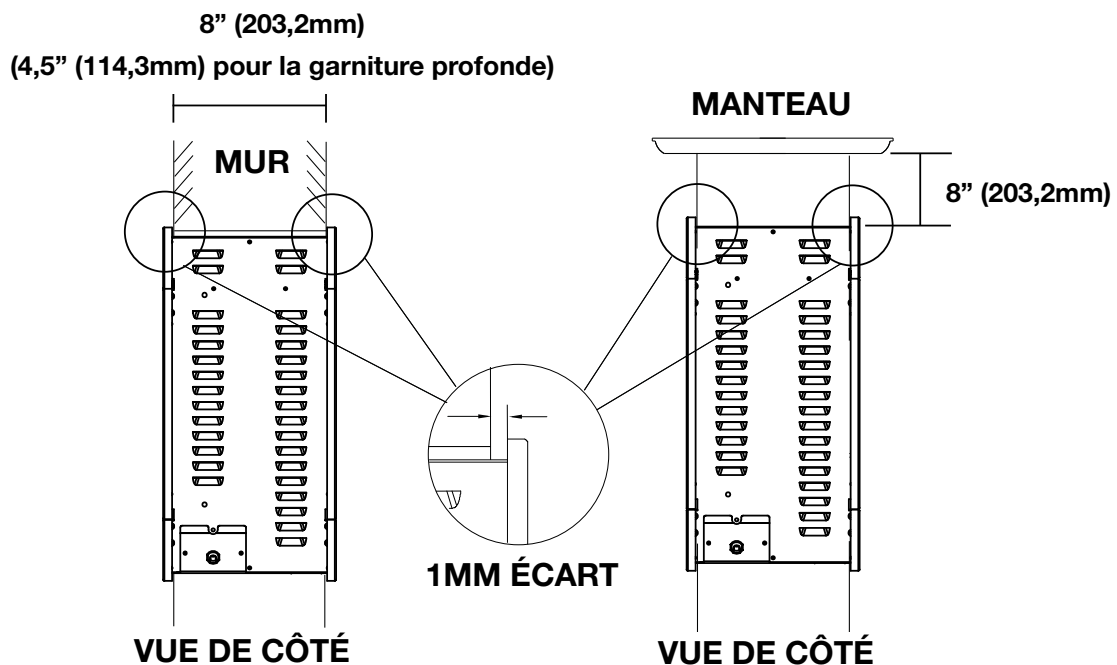
2.3 dégagement minimum pour les combustibles

Les mesures sont prises de la garniture avant	
Bas	0"
Côtés	0"
Avant / Arrière	6" (152,4mm)
Haut	8" (203,2mm)

2.4 dégagements minimaux

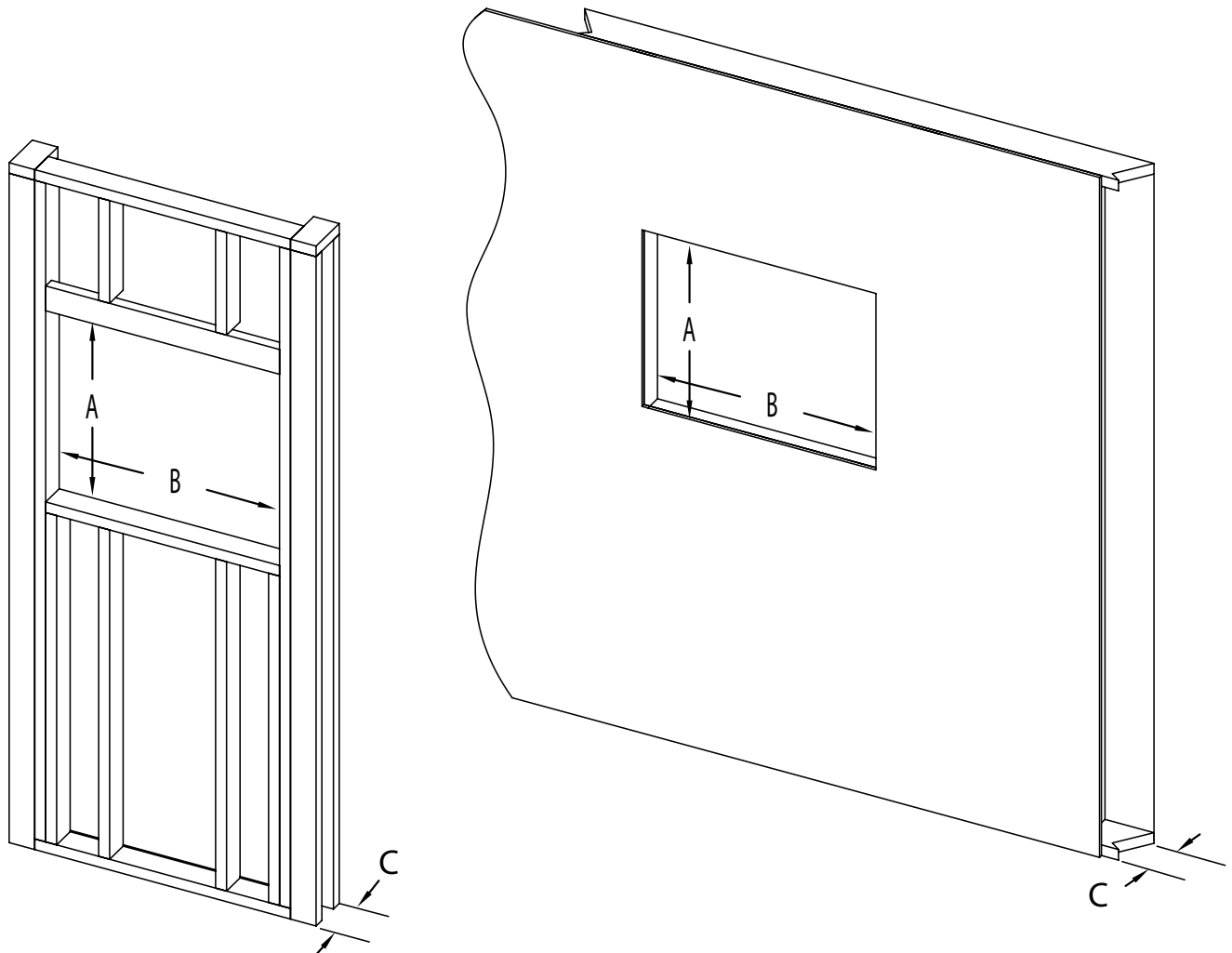
⚠ AVERTISSEMENT

- Lors de l'utilisation de peinture ou de laque pour finir le manteau, la peinture ou la laque doit être résistante à la chaleur pour éviter la décoloration.



2.5 encadrement

MATÉRIAU DE FINITION



NO. DU MODÈLE	A	B	C
NEFBD50H	17 15/16" (45,6cm)	49" (124,5cm)	8" (20,3mm)
NEFBD50H-SS	17 15/16" (45,6cm)	49" (124,5cm)	8" (20,3mm)
NEFBD50H-DT	17 15/16" (45,6cm)	49" (124,5cm)	4,5" (11,4mm)
NEFBD50H-SS-DT	17 15/16" (45,6cm)	49" (124,5cm)	4,5" (11,4mm)

installation

FR

2.6 installation de l'appareil

- A. Mesurez l'appareil et créez un cadre rugueux avec de l'électricité.
- B. Retirez la garniture avant. Voir la section "installation / enlèvement de garniture avant".
- C. Retirez le verre avant. Voir la section "installation / enlèvement du verre avant".
- D. Pour déterminer l'emplacement d'installation du support de montage, assurez-vous d'aligner le bord du support de montage à $1/4"$ (6,4mm) du centre du goujon et à $6 1/8"$ (156mm) du bas du goujon (FIG. 1 & 2).

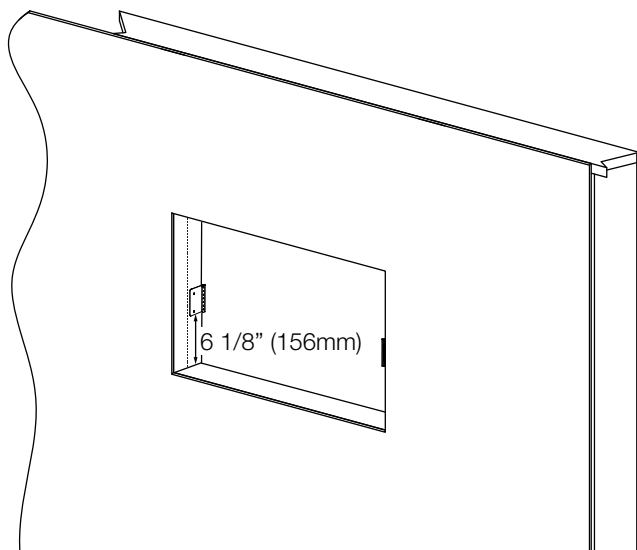


FIG. 1

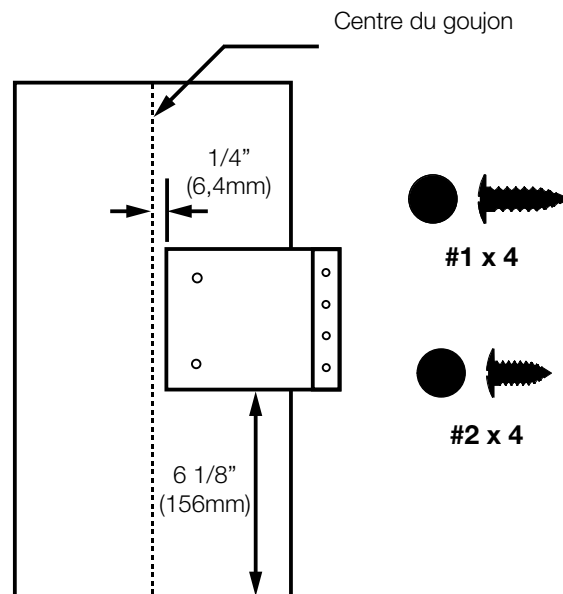


FIG. 2

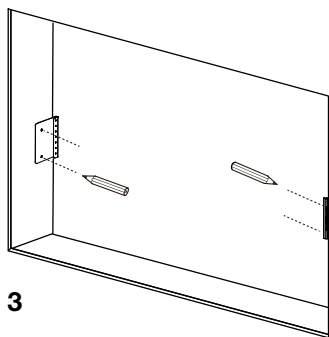


FIG. 3

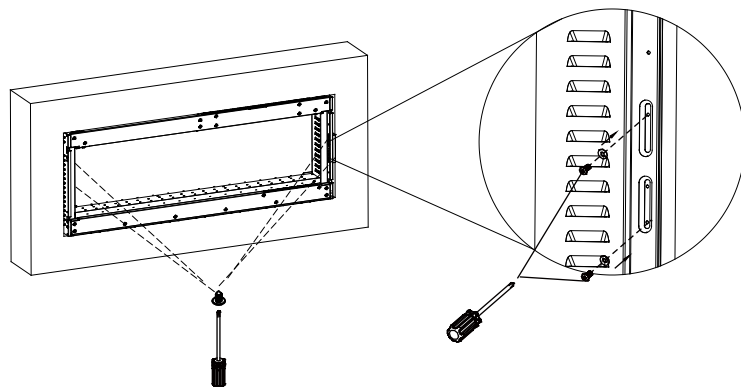


FIG. 4

- E. Marquez les trous pour le support de montage (FIG. 3).
- F. Percez les trous marqués.
- G. Fixez les supports de montage sur les trous forés avec les attaches fournies.
- H. Insérez l'appareil sur le cadre et fixez-le à l'aide des vis (#2 x 4) fournies à l'aide des fentes de l'appareil (FIG. 4).
- I. Réinstallez le verre et la garniture avant. Voir les sections "installation / enlèvement de garniture avant" et "installation / enlèvement du verre avant".

note:

Il est conseillé de terminer les parois de l'enceinte de l'appareil afin d'éviter que des isolants exposés ou un pare-vapeur n'entre en contact avec l'appareil. Cela garantira l'entretien des combustibles.

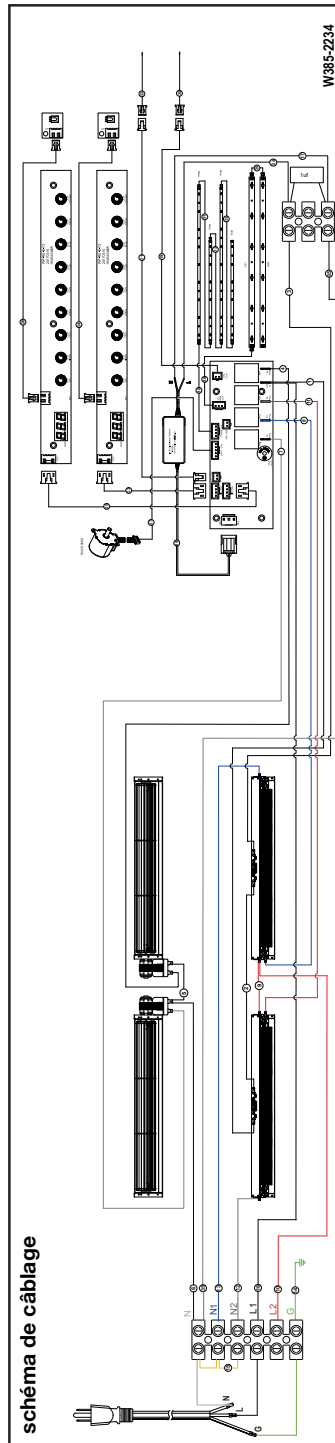
Les ancrés murales ne sont pas nécessaires lors du vissage dans le goujon du mur.

3.1 schéma de câblage

! AVERTISSEMENT

- Éteignez complètement l'appareil et laissez refroidir avant de procéder à l'entretien. Seul un technicien qualifié doit réparer et réparer cet appareil électrique.

NEFBD50H / NEFBD50H-SS / NEFBD50-DT / NEFBD50-SS-DT schéma de câblage



information électrique

FR

3.2 installation de câblage dur

AVERTISSEMENT

- Éteignez complètement l'appareil et laissez refroidir avant de procéder à l'entretien. Seul un technicien qualifié doit réparer et réparer cet appareil électrique.

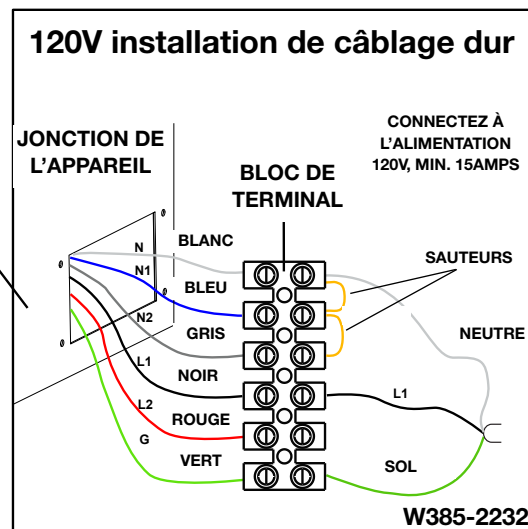
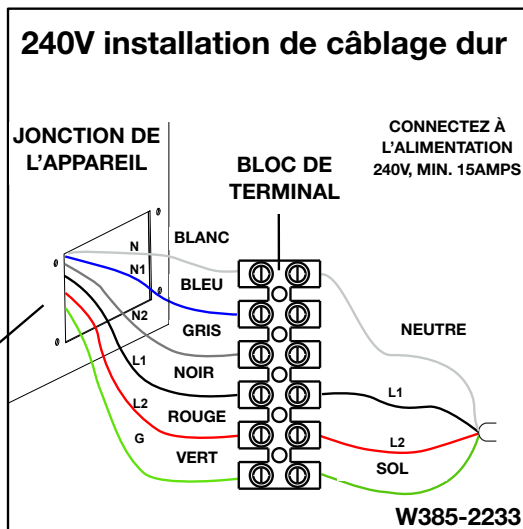
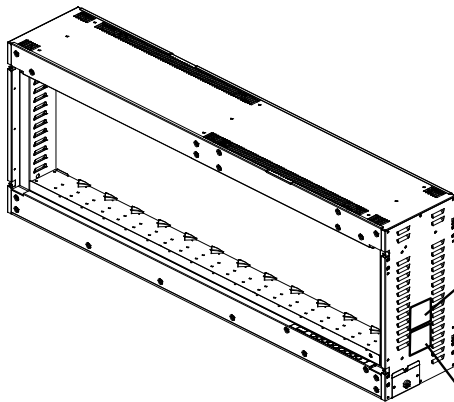
Installation de câblage

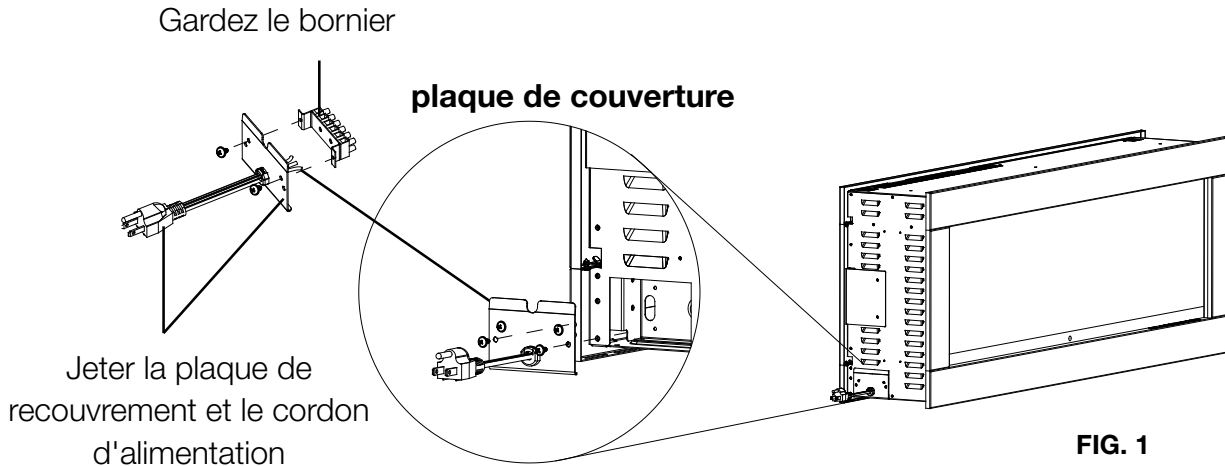
S'il est nécessaire de câbler cet appareil, un électricien qualifié doit retirer la connexion du cordon et câbler l'appareil directement au câblage du ménage. Le fil et le disjoncteur d'alimentation doivent être évalués pour un minimum de 15 ampères de 15 V.

Cet appareil doit être connecté électriquement et mis à la terre conformément aux codes locaux, s'il est câblé. En l'absence de codes locaux, utilisez le CODE ÉLECTRIQUE CANADIEN CSA C22.1 actuel au Canada ou le CODE ÉLECTRIQUE NATIONAL ANSI / NFPA 70 aux États-Unis.

note:

Il y a 6 fils de la boîte de jonction de l'appareil: 1 vert (G), 1 blanc (N), 1 bleu (N1), 1 gris (N2), 1 noir (L1) et 1 rouge (L2).

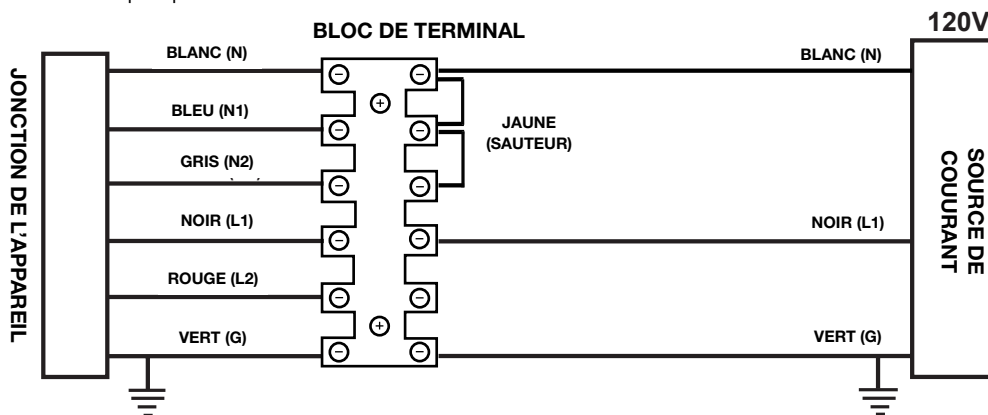




- A. Retirez la plaque de recouvrement du côté droit de l'appareil en enlevant les 2 vis (FIG. 1).
- B. Retirez les vis qui fixent la plaque de recouvrement.
- C. Retirez les connecteurs de fil du cordon d'alimentation.
- D. Jeter l'assemblage du cordon d'alimentation.
- E. Appareil à fil dur. Voir les sections "120V connexion de fil dur" et "240V connexion de fil dur".
- F. Installez la plaque de recouvrement (fournie dans le kit matériel) en utilisant les vis préalablement retirées de l'étape B.

3.3 120V connexion de fil dur

- A. Desserrez la vis de fixation du bornier pour retirer le cordon du bornier. **GARDEZ 2 SORTIES DE FILS DANS LE BLOC TERMINAL.**
- B. Ajoutez un connecteur de boîte électrique et alimentez les fils d'alimentation dans le trou de 7/8" (22mm) du bornier.
- C. Insérez le fil blanc (N) de l'alimentation aux emplacements (N) désignés dans le bornier. Fixez en serrant les vis sur les fentes (N). **ASSUREZ-VOUS QUE LES FILS DE JUMPER SONT ASSURÉS.**
- D. Exécutez les fils Noir (L1) et Vert (G) de l'alimentation à des emplacements désignés sur le bornier.
- E. Réinstallez la plaque de recouvrement.



note:

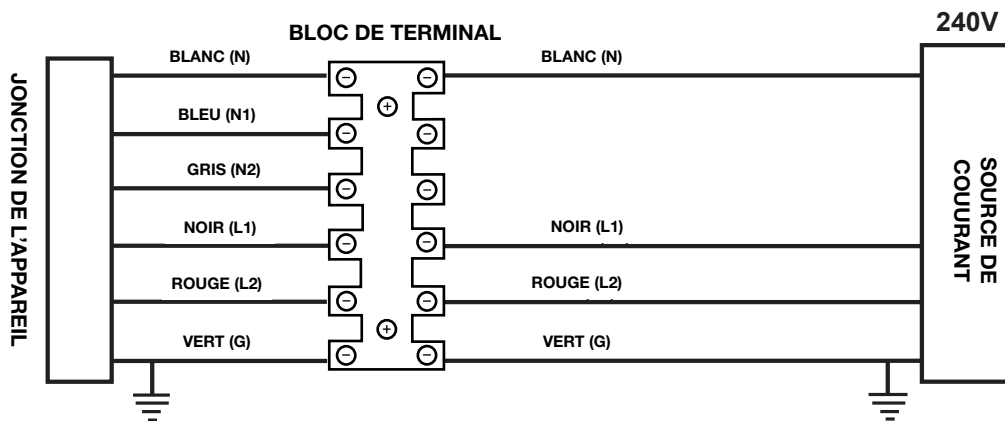
Laissez un câblage suffisant pour retirer l'appareil du boîtier sans débrancher l'appareil de l'alimentation électrique.

information électrique

FR

3.4 240V connexion de fil dur

- A. Desserrez la vis de fixation du bornier pour retirer le cordon du bornier. **RETIRER 2 JUMPERS DE FILS DANS LE BLOC TERMINAL.**
- B. Ajoutez un connecteur de boîte électrique et alimentez les fils d'alimentation dans le trou de 7/8" (22mm) du bornier.
- C. Insérez le fil blanc (N) de l'alimentation aux emplacements (N) désignés dans le bornier. Fixez en serrant les vis sur les fentes (N).
- D. Exécutez les fils Noir (L1), Rouge (L2) et Vert (G) de l'alimentation aux emplacements désignés sur le bornier.
- E. Réinstallez la plaque de recouvrement.



note:

Laissez un câblage suffisant pour retirer l'appareil du boîtier sans débrancher l'appareil de l'alimentation électrique.

4.1 installation / enlèvement du verre avant

! AVERTISSEMENT

- Avant que la garniture avant ne soit enlevée ou installée, débranchez l'appareil et attendez que l'appareil soit frais pour le toucher.
- Trim peut être lourd et fragile, donc manipuler avec précaution.

- Demandez à deux personnes de lever le verre et d'installer le verre avant en plaçant le côté inférieur dans l'appareil et pivotez pour que le verre touche le panneau latéral (FIG. 1).
- Sécurisé en utilisant 4 attaches (FIG. 2).
- Pour retirer le verre avant, inversez les étapes.

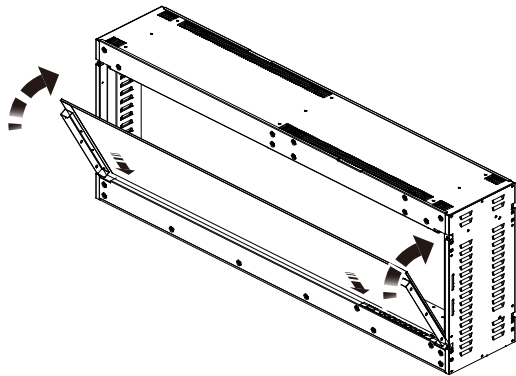


FIG. 1

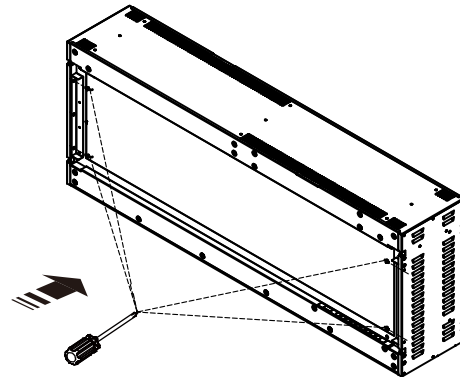


FIG. 2

4.2 installation / enlèvement de garniture avant

- Alignez la garniture avant à l'appareil par le haut et assurez-vous que les garnitures s'accrochent aux supports sur l'appareil (FIG. 1).
- Tirez la garniture pour s'assurer qu'elle est bien accrochée sur les supports (FIG. 2).
- Fixez les garnitures en resserrant les attaches de sécurité (FIG. 3).
- Pour retirer la garniture avant, inversez les étapes.

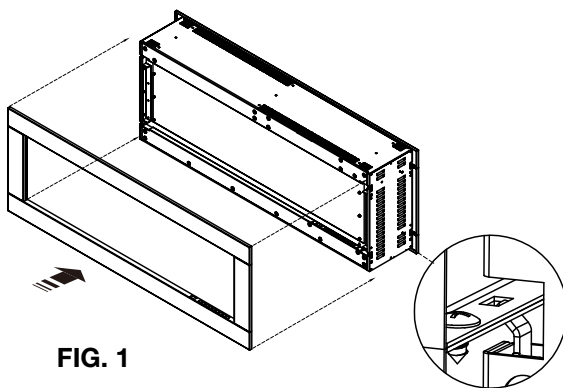


FIG. 1

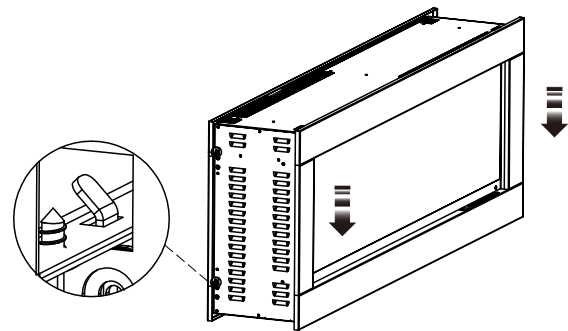


FIG. 2

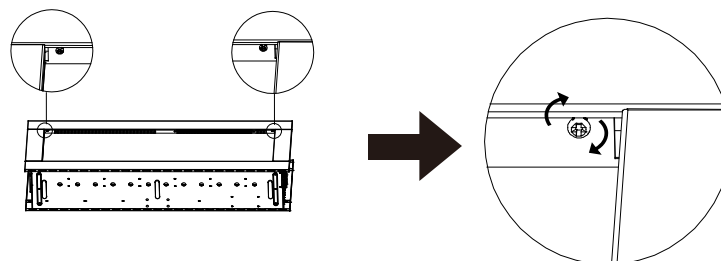


FIG. 3

4.3 installation de média

Il existe deux options de médias pour cet appareil, le jeu de journal et les cristaux acryliques. L'ensemble de configuration de journal est préinstallé avec l'appareil et doit être fini avec du verre de topaze. Voir la section "ensemble de verrous et installation de verre topaze". Si vous le souhaitez, cela peut être changé avec des cristaux acryliques, voir la section "installation de cristaux en acrylique".

4.3.1 ensemble de verrous et installation de verre topaze

Installez le jeu de journal et le verre de topaze après avoir encadré l'appareil et avant d'installer le verre avant.

Si l'assemblage du jeu de journal est installé:

- A. Placez soigneusement le verre de topaze entre l'ensemble de jeu de bûches (avant et arrière).

Si le support en cristal acrylique est installé:

- A. Assurez-vous d'enlever tous les cristaux acryliques de la braise en cristal.
 B. Retirez les attaches du bac média (FIG. 1).
 C. Retirez le bac média (FIG. 2).
 D. Installer l'ensemble de configuration du journal (FIG. 3).
 E. Placez soigneusement le verre de topaze entre l'ensemble de jeu de journal.
 F. Répétez les étapes sur le côté opposé.

note:

NE PAS couvrir les couvercles triangulaires à l'arrière de l'appareil. Le blocage des couvertures triangulaires avec des milieux modifie l'apparence de la flamme.

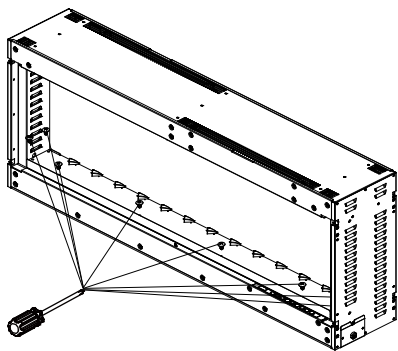


FIG. 1

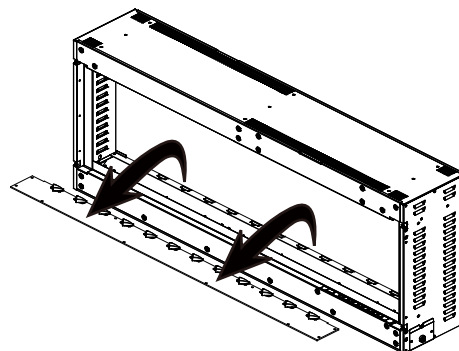


FIG. 2

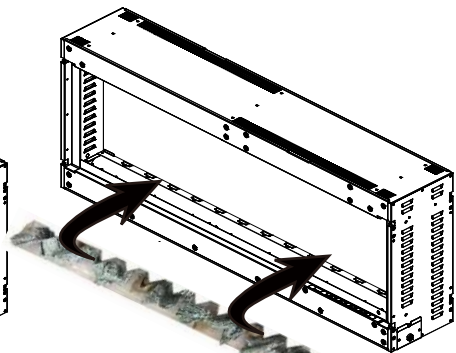


FIG. 3

4.3.2 installation de cristaux en acrylique

Installez le support en cristal acrylique après avoir encadré l'appareil et avant d'installer le verre avant.

- A. Retirez les éléments de fixation de l'ensemble de configuration du journal.
 B. Supprimez l'ensemble du jeu de journaux.
 C. Installez le bac de support avant en utilisant les attaches précédemment retirées de l'ensemble de configuration du journal et sécurisé avec des attaches fournies supplémentaires (4 vis pour le bac de support avant et 1 vis pour le bac de support arrière).
 D. Placez délicatement les cristaux acryliques dans le bac de support avant. Assurez-vous de niveler uniformément la couche.
 E. Répétez les étapes sur le côté opposé.



#12 x 5



note:

Assurez-vous d'aspirer tout verre de topaze ou cristaux acryliques à l'extérieur de la zone du plateau de support avant l'opération.

NE PAS couvrir les couvercles triangulaires à l'arrière de l'appareil. Le blocage des couvertures triangulaires avec des milieux modifie l'apparence de la flamme.

! AVERTISSEMENT

- Pendant que l'appareil fonctionne, ne retirez pas le panneau de verre. Cela entraînera une défaillance de la télécommande et de l'écran tactile.

Une fois que l'appareil a été branché sur une prise électrique mise à la terre, il est prêt à fonctionner.

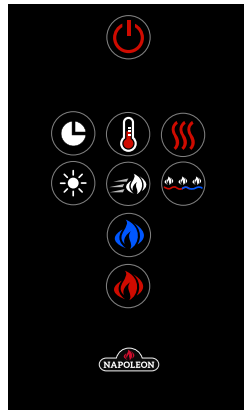
note:

Assurez-vous que les disjoncteurs de la maison de l'alimentation sont allumés. En cas de panne de courant, l'appareil perd sa fonction mémoire et se réinitialise en mode d'usine lorsque l'alimentation revient.

5.1 bouton d'alimentation principal

Le bouton d'alimentation principal se trouve sur le devant en bas à droite de l'appareil.






5.2 panneau d'affichage tactile et télécommande



Puissance		Allumé ou éteinte l'appareil
Flamme jaune	 panneau de contrôle télécommande	Contrôle la luminosité de la flamme. Paramètres: F0 - Flamme éteinte F1 - La plus petite flamme F2 - Petite flamme F3 - Flamme moyenne F4 - Flamme lumineuse F5 - Flamme la plus brillante
Flamme bleue	 panneau de contrôle télécommande	Contrôle la luminosité de la flamme. Paramètres: B0 - Éteinte B1 - Très faible B2 - Faible B3 - Moyen B4 - Brillant B5 - Plus Lumineux
Lumière du lit de braise		Contrôle la luminosité de la lumière du lit de braise. Note: Si la couleur du lit de braises est réglée sur C11, le réglage de la luminosité du lit de braises ne peut pas être modifié. Paramètres: B0 - Éteinte B1 - Très faible B2 - Faible B3 - Moyen B4 - Brillant B5 - Plus Lumineux

mode d'emploi

FR

<p>Couleur du lit de l'érable</p>		<p>Contrôle les réglages de la lumière du lit de braise.</p> <p>Paramètres: C1 - Orange C2 - Rouge C3 - Bleu C4 - Jaune C5 - Vert C6 - Violet C7 - Bleu Ciel C8 - Magenta C9 - Blance C10 - Rose C11 - Parcours C1 à C10 C12 - Verrouille une couleur pendant le cycle C11</p>
<p>Vitesse de la flamme</p>		<p>Contrôle la vitesse de la flamme.</p> <p>Il existe 5 réglages de vitesse de flamme: S1 à S5. S1 est le plus lent et S5 est le plus rapide.</p>
<p>Contrôle de Température</p>		<p>Il existe 11 réglages de température: 64°F [18°C] 66°F [19°C] 68°F [20°C] 70°F [21°C] 72°F [22°C] 74°F [23°C] 76°F [24°C] 78°F [25°C] 80°F [26°C] 82°F [27°C] et OFF</p> <p>Pour passer de °C à °F ou °F à °C, maintenez le bouton de contrôle de la température pendant 5 secondes.</p>
<p>Chauffage</p>		<p>Allumé / éteint le chauffage et le ventilateur.</p> <p>Paramètres: OFF - Chauffage et ventilateur éteintes BL - Ventilateur allumé H1 - Chauffage allumé (1500W à 120V et 3000W à 240V)</p> <p>H - Chauffage et thermostat désactivé (Appuyez et maintenez le bouton chauffant pendant 5 secondes pour désactiver / réactiver le chauffage et le thermostat).</p> <p>Chaque côté de l'appareil a un contrôle de chauffage indépendant.</p>
<p>Minuteur</p>		<p>Définit la minuterie.</p> <p>Il existe 9 paramètres de minuterie: 0.5h, 1h, 2h, 3h, 4h, 5h, 6h, 7h, 8h.</p>

note:

Lorsque la chaleur est allumée seulement (c.à.d. pas de flammes, pas de lumières de lit de braise, etc.), la fenêtre d'affichage sera sombre et indiquera H1 comme son statut.

! AVERTISSEMENT

- En preparation pour l'entretien, toujours débrancher l'alimentation et laisser refroidir l'appareil électrique avant d'effectuer tout nettoyage, maintenance ou relogement de cet appareil électrique. Éteignez les commandes et retirez la fiche de la prise ou de l'allumage du disjoncteur de la maison sur la prise d'un appareil électrique.
- N'installez pas les lampes de remplacement qui dépassent les watts maximum spécifiés.
- Les lampes halogènes de votre appareil peuvent être extrêmement chaudes. Attendre au moins 10 minutes entre l'éteindre et retirer les lampes pour éviter les brûlures accidentelles.
- Ne manipulez pas la lampe avec les doigts nus, les huiles de votre peau endommageront les lampes lorsqu'elles se réchaufferont. Utiliser des gants ou un chiffon propre et propre lors de la manipulation de lampes.

6.1 installation de la batterie à distance

! AVERTISSEMENT

- Cette télécommande nécessite des piles bouton qui sont dangereuses pour les jeunes enfants.
- AVERTISSEMENT - GARDER LES BATTERIES DE LA PORTÉE DES ENFANTS
- L'ingestion peut entraîner des blessures graves dans moins de 2 heures ou la mort, en raison des brûlures chimiques et de la perforation potentielle de l'œsophage.
- Si vous pensez que votre enfant a avalé ou inséré une batterie bouton, recherchez immédiatement une assistance médicale urgente.
- Examinez les appareils et assurez-vous que le compartiment de la batterie est bien fixé, p. Que la vis ou autre attache mécanique est serrée. Ne pas utiliser si le compartiment n'est pas sécurisé.
- Éliminez les piles bouton usagées immédiatement et en toute sécurité. Les piles plates peuvent encore être dangereuses.
- Renseignez-vous sur le risque associé aux batteries bouton et la façon de garder leurs enfants en sécurité.



note:

La télécommande dispose d'une languette en plastique amovible pour prolonger la durée de vie de la batterie pendant l'expédition. Retirez la languette de la télécommande pour fonctionner.

1. Pour remplacer la batterie existante, retirez le support de la batterie.
2. Pour retirer le support de la batterie, tournez la télécommande vers l'arrière et appuyez sur le levier latéral gauche vers le centre tout en tirant le support de batterie à l'aide de la fente fournie.
3. Remplacez la batterie existante, tapez CR 2025, avec une nouvelle batterie et réinstallez le support de batterie dans la télécommande en le glissant en position, comme illustré.



note:

La télécommande dispose d'une languette en plastique amovible pour prolonger la durée de vie de la batterie pendant l'expédition. Retirez la languette de la télécommande pour fonctionner.

La télécommande doit rester à moins de 5 mètres ou 17 pieds de l'appareil pour être efficace, cette plage peut être réduite lorsque l'autonomie de la batterie est épuisée.

7.0 rechanges

FR



AVERTISSEMENT

- Omettre de positionner les pièces conformément à ce manuel ou d'utiliser uniquement des pièces spécifiquement approuvées pour cet appareil peut causer des dommages matériels ou des blessures corporelles.

Contactez votre détaillant pour les questions concernant les prix et la disponibilité des pièces de remplacement. Normalement, toutes les pièces peuvent être commandées chez votre détaillant autorisé.

Pour un remplacement de pièce sous garantie, une photocopie de la facture originale sera requise afin de pouvoir honorer la demande.

Lorsque vous commandez des pièces, donnez toujours l'information suivante:

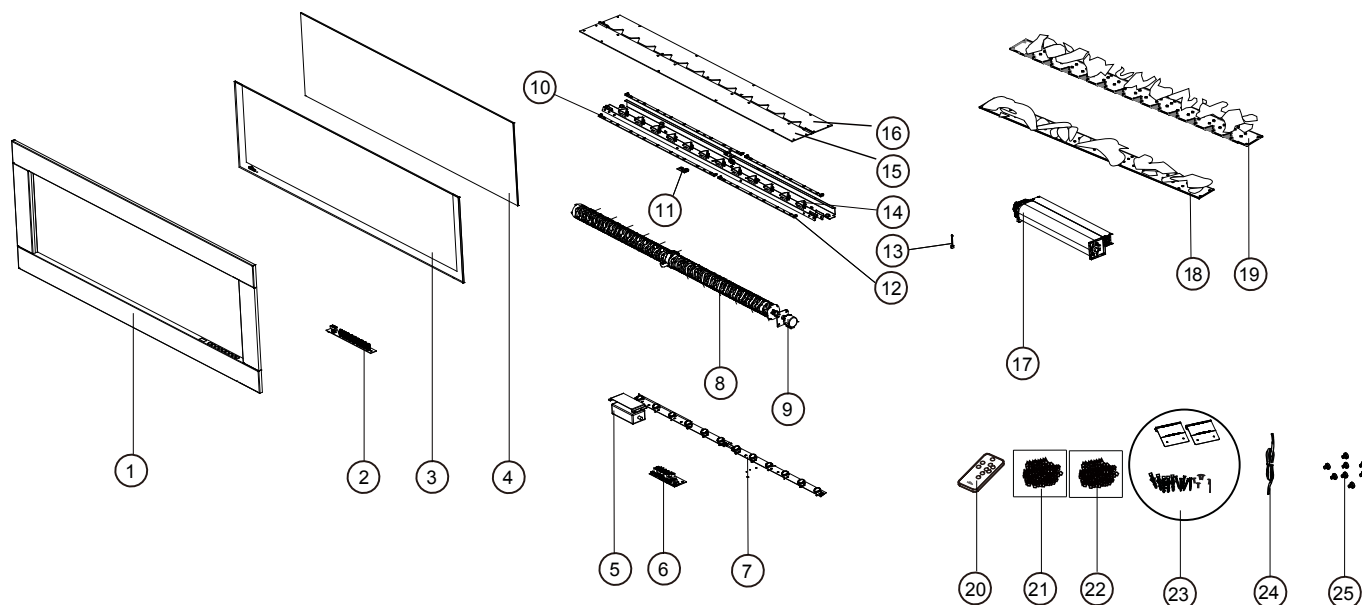
- Modèle et numéro de série de l'appareil
- Date d'installation de l'appareil
- Numéro de la pièce
- Description de la pièce
- Fini

Pièces, numéro des pièces et s'il soit disponible peut changer sans préavis.

Parties identifiées comme garnie seront livrés dans 2 à 5 jours pour la plupart des destinations de livraison.

Pièces non identifiées que stockés seront livrés dans un délai de 2 à 4 semaines pour la plupart des cas.

Pièces identifiées comme « SO » sont commande spéciale et peuvent prendre jusqu'à 90 jours pour la livraison.



RÉF.	NEFB50H	NEFB50H-SS	DESCRIPTION
1	W715-1160	W715-1161	Garniture avant
2	W475-1433	W475-1433	Toucher planche
3	W300-0275	W300-0275	Verre avant
4	W300-0276	W300-0276	Verre miroir
5	W707-0028	W707-0028	Source de courant
6	W190-0127	W190-0127	Conseil principal des PCB
7	W405-0059	W405-0059	Panneau LED
8	W527-0029	W527-0029	Rôtissoire
9	W435-0089	W435-0089	Moteur étagé
10	W405-0058	W405-0058	9 panneau RVB
11	W405-0060	W405-0060	Récepteur
12	W405-0057	W405-0057	6 carte RVB
13	W405-0061	W405-0061	Thermostat
14	W405-0062	W405-0062	Couverture triangulaire
15	W497-0046	W497-0046	Bac média de support avant
16	W497-0047	W497-0047	Bac média de support arrière
17	W010-4243	W010-4243	Ensemble ventilateur et réchauffeur
18	W135-0732	W135-0732	Assemblage de grille arrière
19	W135-0733	W135-0733	Assemblage de grille avant
20	W190-0128	W190-0128	Télécommande
21	W300-0277	W300-0277	Médias en verre écrasé
22	W497-0048	W497-0048	Médias de cristaux acryliques
23	W370-0127	W370-0127	Kits de montage mural
24	W750-0442	W750-0442	Harnais de câblage
25	W430-0022	W430-0022	8 boutons magnétiques en acier inoxydable

RÉF.	NEFB50H	NEFB50H-SS	DESCRIPTION
26*	W475-1433	W475-1433	Noir garniture profonde
27*	W300-0275	W300-0275	Acier inoxydable garniture profonde

* Ces pièces sont des accessoires et sont vendues séparément.

8.0 guide de dépannage

FR

AVERTISSEMENT

- Coupez l'alimentation électrique à l'appareil et laissez-le refroidir avant d'effectuer un entretien. Seulement un technicien de service qualifié peut effectuer l'entretien ou la réparation de cet appareil électrique.

symptôme	problème	solution
La luminosité du jeu de flammes est faible ou inexistante.	Éclat de flamme n'est pas sélectionné	Voir la section « opération ».
	Les DEL sont brûlées.	Vérifiez les DEL et remplacez-les au besoin.
	Carte de circuit imprimé est brûlé.	Vérifiez le carte de circuit imprimé et remplacez-le au besoin.
Le lit de braises s'illumine pas ou ne diminue pas en luminosité.	Luminosité n'est pas sélectionnée.	Voir la section « opération ».
	Les DEL de braises sont brûlées.	Vérifiez les DEL de braises et remplacez-les au besoin.
	Carte de circuit imprimé est brûlé.	Vérifiez le carte de circuit imprimé et remplacez-les au besoin.
L'appareil n'émet aucune chaleur.	Réglage du chauffage n'est pas sélectionné.	Voir la section « opération ».
	Le chauffage a été verrouillé.	Voir la section « opération ».
	La température ambiante est plus élevée que le réglage de l'appareil (si réglée au température de la chambre).	Réinitialiser la température de l'appareil.
	L'appareil a surchauffé et le dispositif de sécurité a entraîné le déclenchement de l'interrupteur thermique.	Débranchez l'appareil et le disjoncteur, laissez-le refroidir pendant 15 minutes, puis rebranchez-le, puis brancher ou allumer le disjoncteur.
	Le chauffage est brûlé.	Inspecter la soufflerie et le ventilateur et remplacez-les au besoin.
L'appareil s'éteint et ne se rallume pas.	Le disjoncteur de la maison s'est déclenché.	Réinitialisez le disjoncteur.
	Le fusible de l'appareil a éteint.	Remplacez le fusible.
	L'appareil a surchauffé et le dispositif de sécurité a entraîné le déclenchement de l'interrupteur thermique.	Débranchez l'appareil et le disjoncteur, laissez-le refroidir pendant 15 minutes, puis rebranchez-le, puis brancher ou allumer le disjoncteur.
L'appareil ne s'allume pas lorsque l'interrupteur est mis à « ON ».	L'appareil n'est pas branché dans une prise de courant.	Vérifiez la fiche puis rebranchez-la.
	Branchement par câble sont incorrectes (si applicable).	Voir la section « branchement par câble ».
	L'appareil a surchauffé et le dispositif de sécurité a entraîné le déclenchement de l'interrupteur thermique.	Débranchez l'appareil et le disjoncteur, laissez-le refroidir pendant 15 minutes, puis rebranchez-le, puis brancher ou allumer le disjoncteur.
	La carte de circuit imprimé est brûlé.	Inspectez la carte de circuit imprimé est remplacez-le au besoin.
La télécommande ne fonctionne pas.	Les piles sont faibles.	Remplacez les piles de la télécommande.
	Dysfonctionnement du récepteur à distance.	S'assurez que le récepteur à distance n'est pas bloqué. Replacer le panneau.

note:

Des précautions doivent être prises lors de l'enlèvement et de l'élimination de tout verre brisé ou de composants endommagés. Assurez-vous d'aspirer tout verre brisé de l'intérieur de l'appareil avant l'opération.

Si l'interrupteur thermique a déclenché, l'appareil émettra un bip sonore.

Les foyers électriques NAPOLÉON sont fabriqués conformément aux normes strictes du Système de Gestion de la Qualité mondialement reconnu ISO 9001 : 2015.

Les produits NAPOLÉON sont conçus avec des composants et des matériaux de qualité supérieure, assemblés par des artisans qualifiés qui sont fiers de leur travail. Une fois assemblé, chaque foyer est soigneusement inspecté par un technicien qualifié avant d'être emballé pour garantir que vous, le client, recevez le produit de qualité dont vous attendez de NAPOLÉON.

GARANTIE LIMITÉE DES APPAREILS ÉLECTRIQUES NAPOLÉON

Les composants électriques et les pièces soumises à l'usure sont couverts et NAPOLÉON fournira gratuitement les pièces de rechange durant la première année de la garantie limitée. Ceci couvre: le ventilateur/l'appareil de chauffage, les moteurs, les interrupteurs, les roulements à billes en nylon, les télécommandes et les lumières de DEL.

Les ampoules et fusibles **NE SONT PAS** couverts par la garantie.

Les coûts de main-d'oeuvre relatifs aux réparations garanties ne sont pas couverts.

*La fabrication de chaque modèle varie. La garantie s'applique uniquement aux composants disponibles avec votre appareil.

CONDITIONS ET LIMITATIONS

NAPOLÉON garantit ses produits contre les défauts de fabrication à l'acheteur d'origine seulement. L'enregistrement de la garantie n'est pas nécessaire. Fournissez simplement une preuve d'achat ainsi que le modèle et le numéro de série afin d'effectuer une réclamation de garantie. NAPOLÉON se réserve le droit de demander à son représentant d'inspecter tous produits ou pièces avant d'honorer toute réclamation. L'achat doit avoir été fait par l'entremise d'un détaillant NAPOLÉON autorisé et sous réserve des conditions et limitations suivantes :

La couverture de la garantie débute à partir de la date d'installation originale.

Cette garantie du fabricant n'est pas transférable et ne peut être prolongée par aucun de nos représentants.

L'installation doit être faite conformément aux instructions d'installation incluses avec le produit et à tous les codes d'incendie et de construction locaux et nationaux.

Cette garantie limitée ne couvre pas les dommages causés par un mauvais usage, un manque d'entretien, un accident, des altérations, des abus ou de la négligence, et l'installation de pièces d'autres fabricants annulera cette garantie.

Cette garantie limitée ne couvre pas non plus les égratignures, les bossellements, la corrosion ou la décoloration causée par une chaleur excessive, des produits d'entretien chimiques et abrasifs ou l'écaillage de pièces en porcelaine émaillée, le bris par manipulation des bûches Phazer™.

Au cours de la première année seulement, cette garantie s'étend à la réparation ou au remplacement des pièces garanties dont les matériaux ou la fabrication sont défectueux à la condition que le produit ait été utilisé conformément aux instructions de fonctionnement et dans des conditions normales.

NAPOLÉON ne sera pas responsable de l'installation, de la main d'œuvre ou autres coûts ou dépenses relatives à la réinstallation d'une pièce garantie, et de telles dépenses ne sont pas couvertes par cette garantie. Nonobstant toutes les dispositions contenues dans cette garantie limitée, la responsabilité de NAPOLÉON sous cette garantie est définie comme ci-dessus et elle ne s'étendra à aucun dommage accidentel, consécutif ou indirect.

Cette garantie définit l'obligation et la responsabilité de NAPOLÉON en ce qui concerne l'appareil électrique NAPOLÉON. Toute autre garantie énoncée ou implicite en ce qui concerne ce produit, ses composants ou accessoires est exclue.

NAPOLÉON n'endosse, ni n'autorise aucun tiers à assumer en son nom, toutes autres responsabilités concernant la vente de ce produit.

Tous dommages causés à l'appareil, aux garnitures en laiton ou autres composants par l'eau, les dommages causés par les intempéries, de longues périodes d'humidité, la condensation, des produits chimiques ou produits d'entretien nuisibles ne seront pas la responsabilité de NAPOLÉON.

La facture ou sa copie sera requise ainsi que le numéro de série et le numéro de modèle lors d'une réclamation auprès de votre détaillant autorisé. La carte d'enregistrement de garantie doit être retournée dans les quatorze jours pour enregistrer la garantie.

NAPOLÉON se réserve le droit de demander à son représentant d'inspecter tout produit ou pièce avant d'honorer toute réclamation.

Toutes les pièces remplacées en vertu de la politique de la garantie limitée ne peuvent faire l'objet que d'une seule réclamation.

Toutes les pièces remplacées au titre de la garantie seront couvertes pour une période de 90 jours à partir de leur date d'installation.

Le fabricant peut exiger que les pièces défectueuses ou les produits soient retournés ou que des photos numériques soient fournies pour valider la réclamation. Les produits retournés doivent être expédiés port payé au fabricant pour une inspection en usine. Si un produit est déclaré défectueux, le fabricant le réparera ou le remplacera.

Avant d'expédier votre appareil ou les pièces défectueuses, votre détaillant doit obtenir un numéro d'autorisation. Toute marchandise expédiée à notre usine sans autorisation sera refusée et retournée à l'expéditeur.

Les coûts d'expédition ne sont pas couverts par cette garantie.

Des frais de service supplémentaires peuvent être appliqués si vous cherchez à obtenir des services au titre de la garantie auprès d'un détaillant.

TOUTES LES SPÉCIFICATIONS ET LES CONCEPTIONS SONT SUJETTES À MODIFICATIONS SANS PRÉAVIS EN RAISON DES AMÉLIORATIONS CONSTANTES APPORTÉES AUX PRODUITS. NAPOLÉON EST UNE MARQUE DE COMMERCE DÉPOSÉE DE WOLF STEEL LTÉE.

NAPOLÉON CÉLÈBRE PLUS DE 40 ANS D'EXISTENCE CONSACRÉS À LA CONCEPTION DE PRODUITS DE CONFORT



7200, Route Transcanadienne, Montréal, Québec H4T 1A3
24 Napoleon Road, Barrie, Ontario, Canada L4M 0G8
214 Bayview Drive, Barrie, Ontario, Canada L4N 4Y8
103 Miller Drive, Crittenden, Kentucky, USA 41030

Téléphone: 1-866-820-8686
napoleonproducts.com