

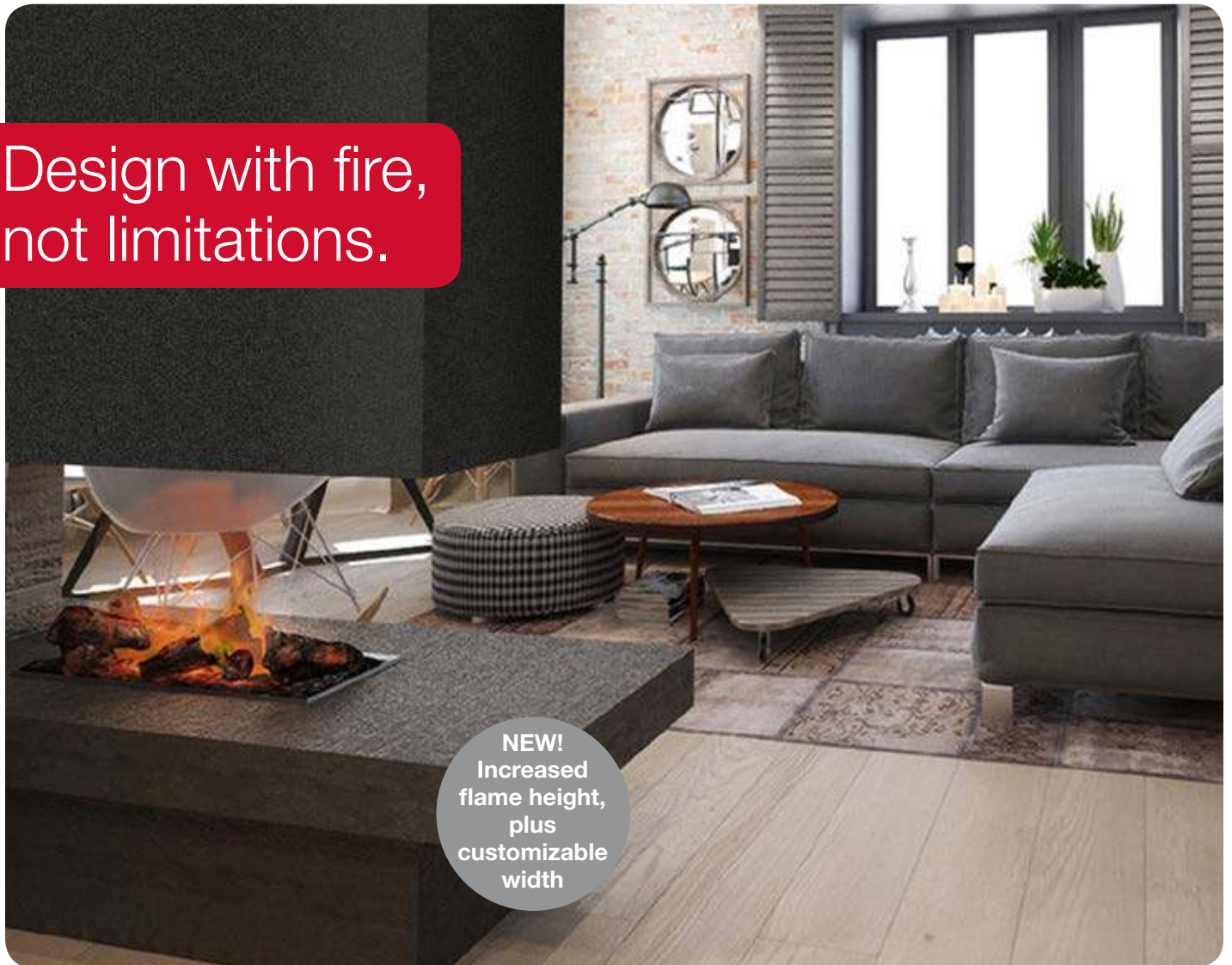


Opti-myst® Pro 500

Built-in Electric Cassette

CDFI500-PRO

Design with fire,
not limitations.



NEW!
Increased
flame height,
plus
customizable
width

Picture the perfect fireplace: any length, any location, and any number of sides. Forget about venting, gas lines and hot glass, because they are a thing of the past. Now imagine flames made of water that you can reach out and touch. The revolutionary Opti-myst by Dimplex reinvents the electric fireplace and makes it easier than ever to add a dramatic fire feature to any space. Single-sided, corner, 3-sided, see through 360° view, the possibilities are endless, so go ahead, play with fire.



Opti-myst® Pro 500 Built-in Electric Cassette

CDFI500-PRO

Customizable Flame
Shown with slot inserts for a contemporary ribbon of flame.



Customizable Flame
Shown with spacer inserts for a more organic flame.



CDFIPLUMB-KIT
- Plumb Kit



Customizable Media Tray (Media not included)



Also available: Opti-myst Pro 1000 (CDFI1000-PRO). Shown with spacer inserts.



CDFILOG - Pro 500 Log Kit also available

120 Volts | 230 Watts | 785 BTU

Features

Opti-myst® Flame Effect
Revolutionary ultrasonic technology produces a fine mist to create the illusion of flames and smoke.

Modular Design
Multiple 20" (50.8 cm) and 40" (101.8 cm) cassettes can be combined in series to achieve the desired length for dramatic linear installations impossible to achieve with gas fires.

Customizable Flame Width
Includes spacers and slots for customizable flame width and pattern.

Adjustable Flame Intensity
Control the desired volume of flame to suit.

Continuous Water Supply
Optional plumbed water supply kit provides continuous operation without refilling water tanks.

All-day Flames
Fill the water tank with tap water and enjoy up to 8 hours of continuous flames.

Crackling Sound Effects
Enjoy a more complete sensory experience with the sound of natural wood fire.

Frame, Wire and Finish
Basic installation requires fewer tradespeople, no gas lines, venting or chimney.

Zero Emissions
The most sustainable fireplace option; no emissions and 100% efficient.

Energy Efficient
Uses low-energy LED lights for low-cost operation.

Heat-free Operation
Designed with the sole purpose of providing a stunning visual fire feature.

Sight and Sound Remote
Control the flames and crackling sound effects at the touch of a button.

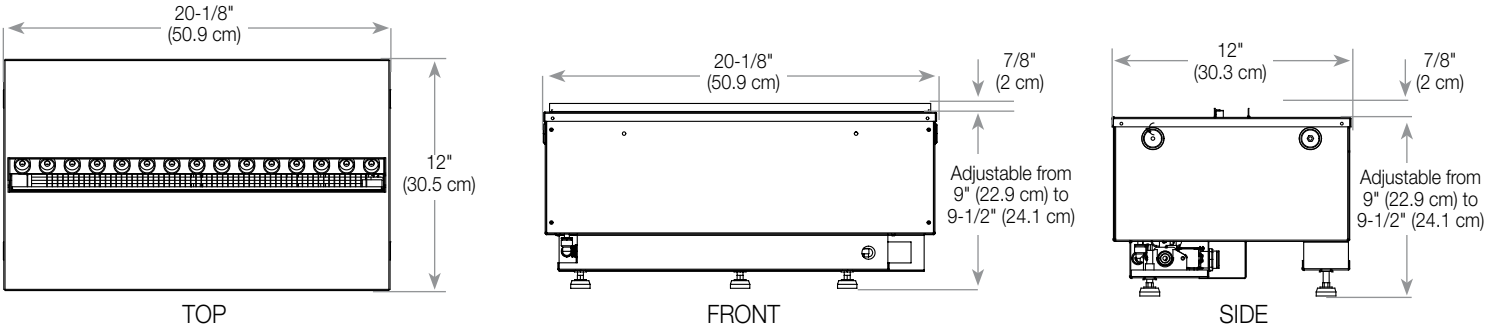
Model #	Description	Lbs/Kg	UPC	Wty.	Carton Dimensions (WxHxD)		Cube	
					inches	cm	Ft³	M³
CDFI500-PRO	Opti-myst® Pro 500 Cassette	24.2 / 10.9	781052 113053	2 yr.	24-3/8 x 13-7/8 x 17-3/4	62.0 x 34.0 x 45.0	8.8	0.09
CDFILOG	Pro 500 Log Kit	28 / 12.7	781052 103238	1 yr.	23-1/2 x 11 x 17-1/5	59.7 x 27.9 x 44.5	2.62	0.07
CDFIPLUMB-KIT	Plumb Kit	0.7 / .32	781052 103221	1 yr.	15-1/2 x 3-1/2 x 6-1/2	39.4 x 8.9 x 16.5	0.20	0.01
CDFI-PLUGKIT	Plug Kit	1.2 / .54	781052 105591	1 yr.	11-1/4 x 3-1/4 x 4	28.7 x 8.1 x 10.2	0.08	0.00

Opti-myst® Pro 500 Built-in Electric Cassette

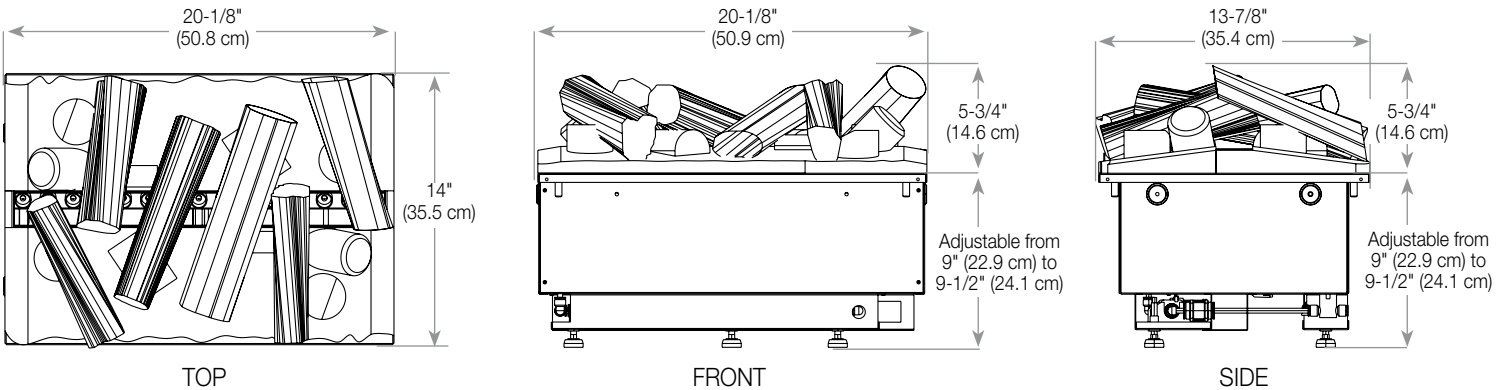
CDFI500-PRO

Product Dimensions:

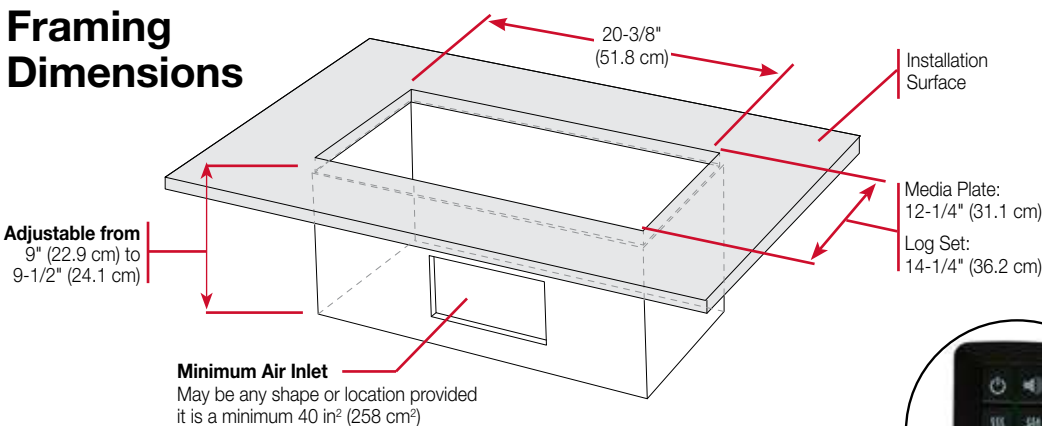
MEDIA PLATE



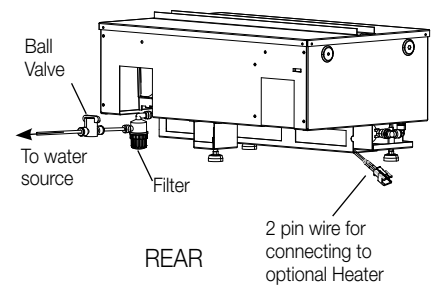
LOG SET



Framing Dimensions



Caution:
When determining a location for the Opti-myst® cassette, ensure that the unit will not be susceptible to drafts, vents, ceiling fans and other air currents. Similar to a candle, large movements of air will affect the unit's ability to create and maintain the flame effect.



Bluetooth Receiver
Must be connected for operation. Can be recessed inside the wall or installed for remote control accessibility.