



Opti-myst® Pro 1000 Built-in Electric Firebox

GBF1000-PRO



Realistic flame, concealed heating, and installation flexibility.

Easily turn fireplace design concepts into reality with the Opti-myst Pro 1000 Built-in Electric Firebox. Install as a single-sided unit, or remove the included backer panel and convert to a see-through design that opens the view between rooms. The discrete heater completes the functionality and ensures perfect comfort in addition to the dazzling Opti-myst flame and smoke effect.



Opti-myst® Pro 1000 Built-in Electric Firebox

GBF1000-PRO

Shown with optional Pro Box Glass Pane (GBFGLASS), back panel removed.



Shown with optional Pro 1000 Log Kit (CDFILOG-KIT)



120 Volts | 1,460 Watts

Model #	Description	Lbs/Kg	UPC	Wty.	Carton Dimensions (WxHxD)		Cube	
					inches	cm	Ft³	M³
Package consists of two cartons including (1) Pro 1000 Built-in Firebox and (1) Pro 1000 Cassette.								
CDFI-BX1000	Opti-myst® Pro 1000 Built-in Firebox	37 / 81.4	781052 110618	2 yr.	48-1/2 x 37 x 18-1/8	123.0 x 94.0 x 46.0	18.8	0.53
CDFI1000-PRO	Opti-myst® Pro 1000 Cassette	35 / 15.9	781052 112612	2 yr.	44-1/2 x 13-3/8 x 18-1/8	113.0 x 34.0 x 46.0	6.2	0.18
CDFILOG-KIT	Pro 1000 Log Kit (2 log sets)	28 / 12.7	781052 104754	1 yr.	23-1/2 x 17-3/4 x 22	60.0 x 45.1 x 55.9	5.3	0.15
GBFGLASS	Pro Box Glass Pane	TBD	781052 116979	1 yr.	50-1/2 x 21-1/4 x 4-3/4	128.0 x 54.0 x 12.0	2.9	0.08
CDFIPLUMB-KIT	Plumb Kit	0.7 / .32	781052 103221	1 yr.	15-1/2 x 3-1/2 x 6-1/2	39.4 x 8.9 x 16.5	0.2	0.01

Features

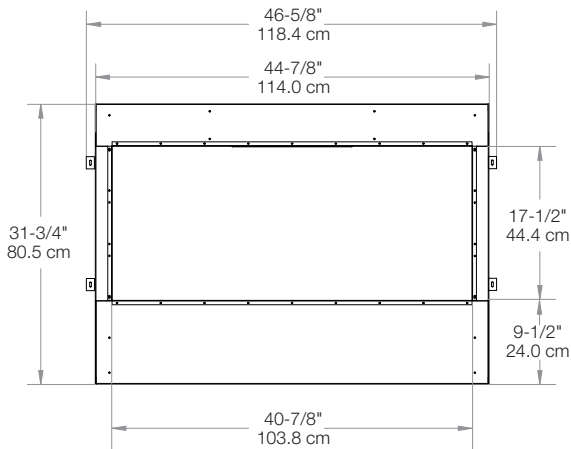
- Opti-myst® Flame Effect**
Revolutionary ultrasonic technology produces a fine mist to create the illusion of flames and smoke.
- Customizable Flame Width**
Includes spacers and slats for customizable flame width and pattern.
- Single or Double-sided**
Includes removable hi-gloss/reflective backer panel for easy conversion.
- Adjustable Flame Speed**
Control the desired volume of flame to suit your needs
- Supplemental Heat**
Includes an effective fan-forced heater to warm up to 400 sq. ft.; Heater heats one side, even with backer panel removed. (Option to disconnect heater).
- Continuous Water Supply**
Optional plumbed water supply kit (CDFIPLUMB-KIT) provides continuous operation without refilling water tanks.
- Media Options**
Includes media tray that can be customized with contemporary media (not included). Optional inner glow logs also available.
- Crackling Sound Effects**
Enjoy a more complete sensory experience with the sound of natural wood fire.
- Frame, Wire and Finish**
Basic installation requires fewer tradespeople, no gas lines, venting or chimney.
- Zero Emissions**
The most sustainable fireplace option; no emissions and 100% efficient.
- Energy Efficient**
Uses low-energy LED lights for low-cost operation.
- Sight Remote**
Control the flames and heater at the touch of a button. (Only for Pro Box version).

Opti-myst® Pro 1000 Built-in Electric Firebox

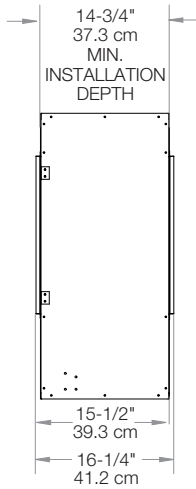
GBF1000-PRO

Product Dimensions:

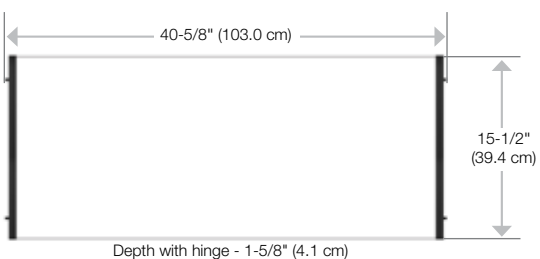
FRONT



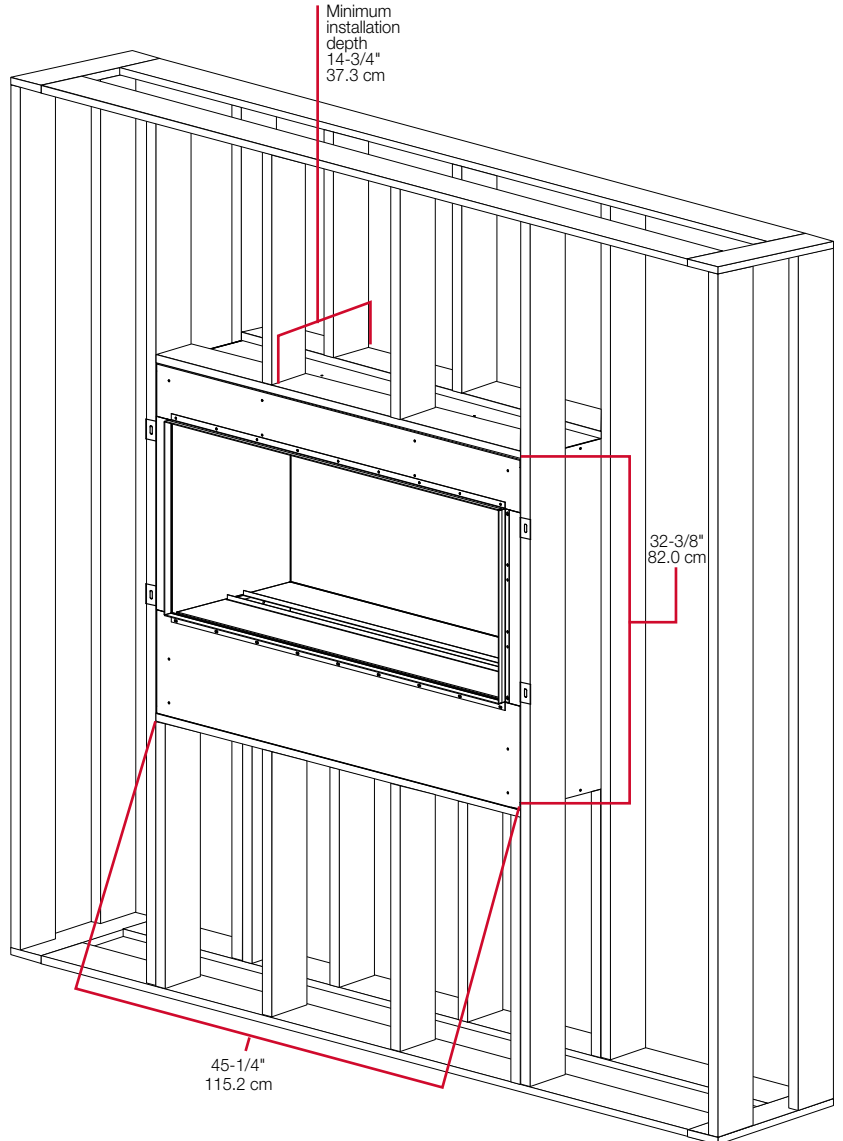
SIDE



PRO BOX GLASS PANE:



Framing Dimensions:



Bluetooth Receiver

Must be connected for operation. Can be recessed inside the wall or installed for remote control accessibility.